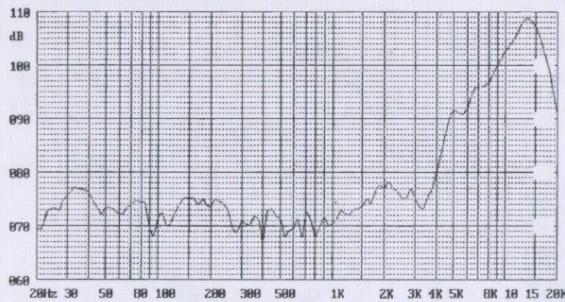


PCT-4275 SERIES ULTRA SONIC TRANSDUCER

FREQUENCY RESPONSE

[actual curve of type]



applied voltage: 10Vp-p. 1/2 duty, sine wave distance for measurement: 100cm

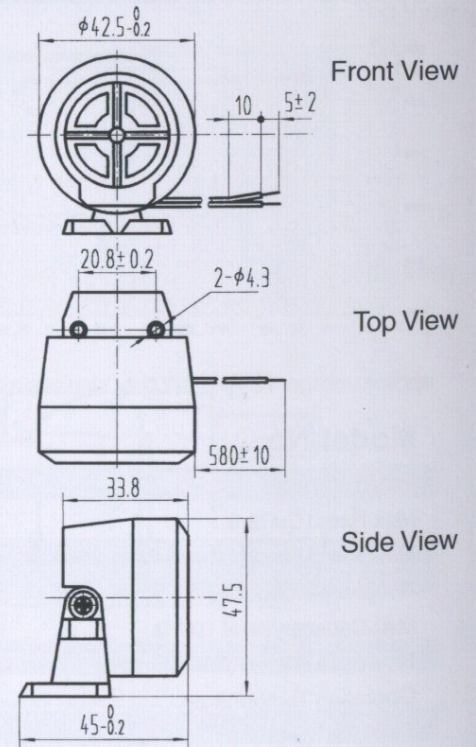
Model No	PCT-4275
Rated Voltage	10Vp-p
Max. Allowable Voltage	30Vp-p
Min. Sound Pressure Level	100dB/10Vp-p Sine Wave/7.5KHz/100cm
Resonant Frequency	7.5 ± 1KHz
Operating Temperature	-20~+70°C
Weight	38g

* Value applying at rated voltage



color Black
PBT Housing Material
Lead Terminal

DIMENSIONS



all dimensions are in mm