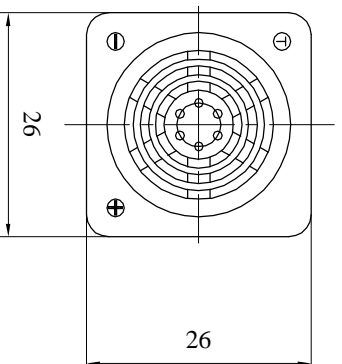
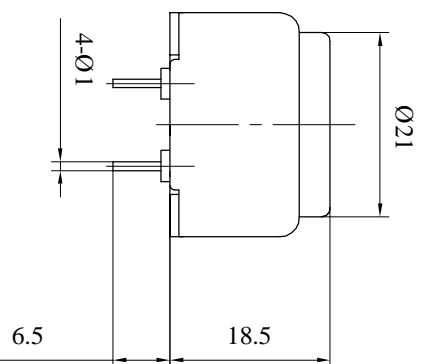
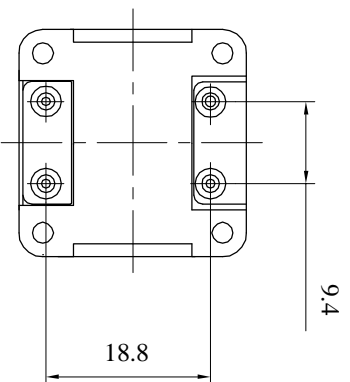
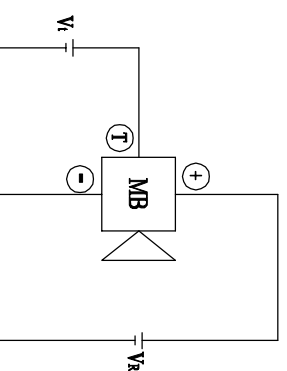


# Specifications

1. Rated Voltage ( $V_R$ ).....24VDC.
  2. Operating Voltage.....16~27VDC.
  3. Trigger Voltage ( $V_t$ )..... $\geq 20$ VDC.
  4. Resonant Frequency.....400 $\pm$ 100Hz
  - ※5. Rated current..... $\leq 30$ mA.
  - ★6. Response Time..... $\leq 400$ ms
  - ※7. Min Sound Output at 20cm.....85dB
  - ※8. Trigger Current..... $\leq 1$ mA
  9. Case Material.....ABS
  10. Operating Temperature.....-20 $^{\circ}$ C~+60 $^{\circ}$ C
  11. Storage Temperature.....-30 $^{\circ}$ C~+70 $^{\circ}$ C
  12. Weight.....10g
- ※ Valve applying rated voltage ( $V_R=V_i$ ).  
 ★ Valve applying min operating voltage ( $V_R=V_i$ ).

## ■ COUPLED CIRCUIT



No.		DESCRIPTION		APPROVED	DATE	<b>KEPO</b> NINGBO KEPO ELECTRONIC CO.,LTD <a href="http://www.chinacoustic.com">http://www.chinacoustic.com</a>	
DESIGNER/ENGINEER		DRAWN		APPROVALS	DATE	Magnetic Buzzer <b>KPMB-2624P4</b>	
NOTED OTHERS		CHECKED				UNIT	DWGNO
XX		XX				mm	KP3.841.601.02
XXX		XXX				SCALE	SHEET
90 $^{\circ}$ ANGLE		FIRST ANGLE PROJECTION		APPROVED	05.03.17		VER 1.0