

1 2 3 4 5 6 7 8

A

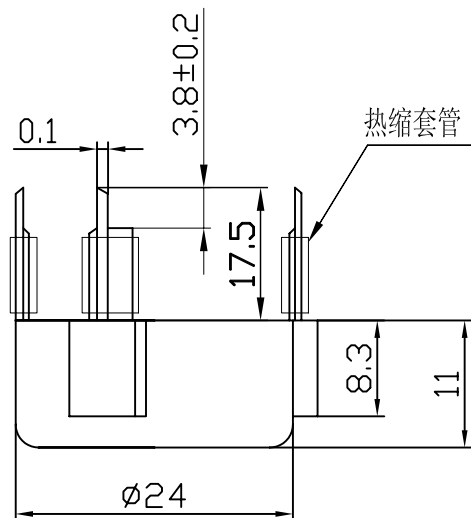
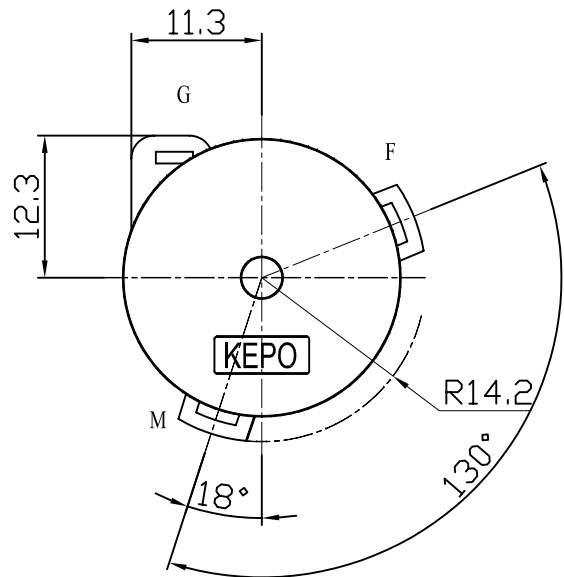
B

C

D

E

F



## SPECIFICATION

1. Rated Voltage.....12VDC
2. Max. Input Voltage.....30VDC
3. Min. Sound Pressure Level.....80dB/30cm
4. Resonant Frequency..... $3.8 \pm 0.4$ KHz
5. Shell Material/Color..... PA/BLACK
6. Operating Temperature..... $-20 \sim +70$ °C
7. Store Temperature..... $-40 \sim +80$ °C
8. Weight..... 3.8 g

				<b>KEPO</b> NINGBO KEPO ELECTRONIC CO.,LTD <a href="http://www.chinaacoustic.com">http://www.chinaacoustic.com</a>	
				Piezo Transducer 海尔	
				KPT-2438P18	
No.	DESCRIPTION	APPROVED	DATE	UNIT DWG NO.	
TOLERANCES UNLESS NOTED OTHERWISE		APPROVALS		mm OEM1222	
X ±		CHECKED		SCALE NOT TO SCALE SHEET VER 1.0	
.XX ±		APPROVED	04.10.18		
.XXX ±					
90° FORMED ±15°					
ANGLES ±1°					
FIRST ANGLE PROJECTION					

1 2 3 4 5 6 7 8