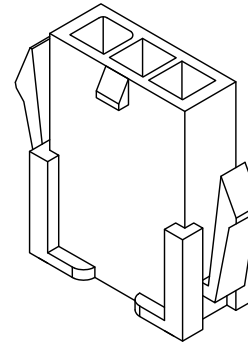
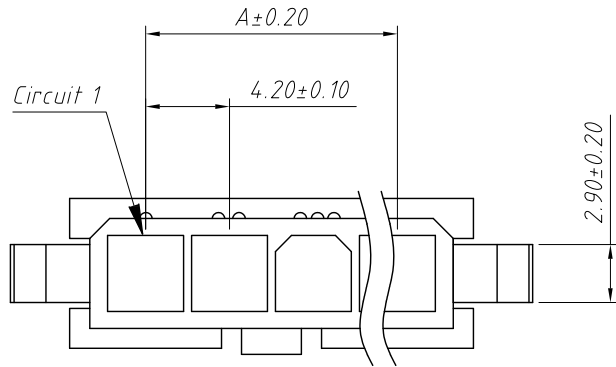


1
RoHS Compliance



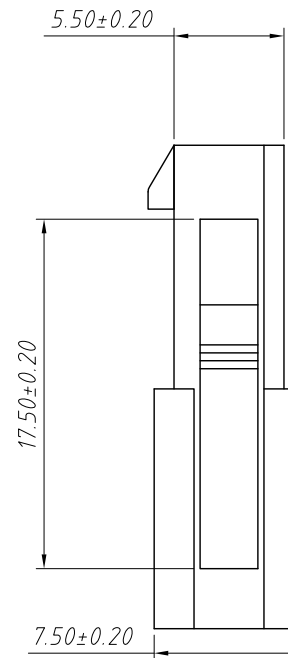
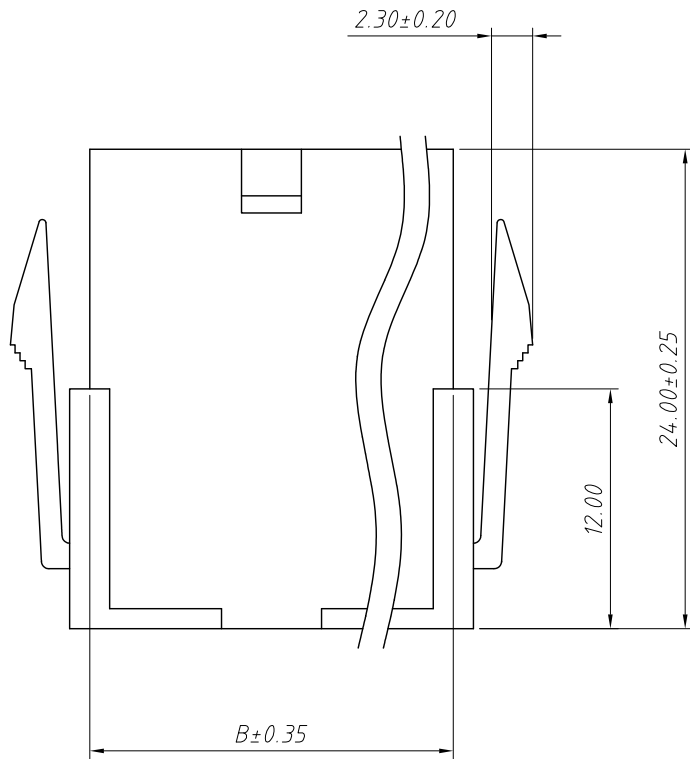
Pin	Dimensions(mm)	
	A	B
02	4.20	9.80
03	8.40	14.00
04	12.60	18.20
05	16.80	22.40
06	21.00	26.60

Material:
Housing:PA66,UL 94 V-0/2

Electrical Characteristics:
Rated Current:7.0A AC,DC
Voltage rating:600V AC,DC
Temperature range:-25°C ~ + 85°C
Insulator Resistance:1000MΩ Min
Withstanding Voltage:1500V AC/minute
Contact Resistance:20mΩ Max

Order Information:
L-KLS1-4.20-1×02-FH

L: RoHS
Pitch:4.20mm
Pins:
1-Single layer
2-Double layer
No.of 02~06 pins
Type:
MH / FH -Hosing
MT / FT-Terminal
W1-Without ear

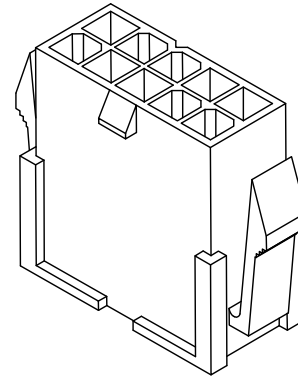
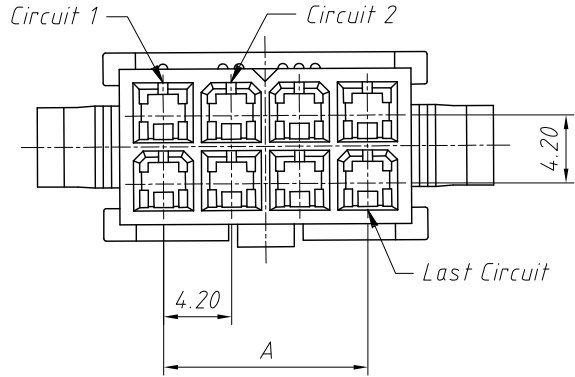


ANGLE TOLERANCE	PROJECTION	Description:	4.20mm Pitch Molex Mini-Fit JR 5556 5557 5559 5566 5569 Wire To Board Connector
±3°			
GENERAL TOLERANCE	UNITS	mm	KLS P/N: L-KLS1-4.20-1×02-FH
x.x ±0.30	SHEET SIZE	A4	
x.xx ±0.20	Draw:	Daniel	2021-01-11
x.xxx ±0.10	Check:	Daniel	2021-01-11

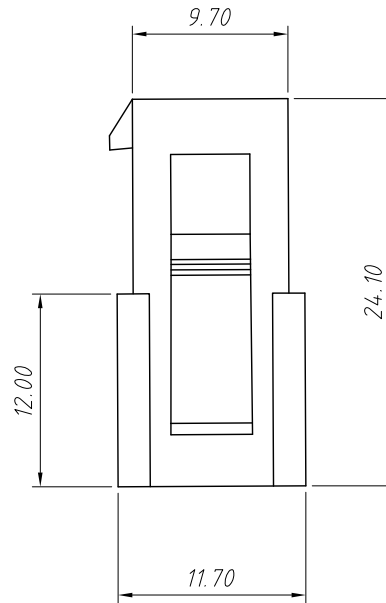
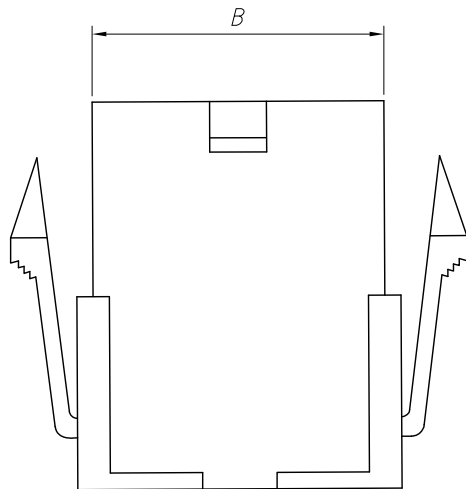


NingBo KLS ELECTRONIC CO.,L TD.

1 RoHS Compliance



Pin	Dimensions(mm)	
	A	B
2×01	---	5.60
2×02	4.20	9.80
2×03	8.40	14.00
2×04	12.60	18.20
2×05	16.80	22.40
2×06	21.00	26.60
2×07	25.20	30.80
2×08	29.40	35.00
2×09	33.60	39.20
2×10	37.80	43.40
2×11	42.00	47.60
2×12	46.20	51.80

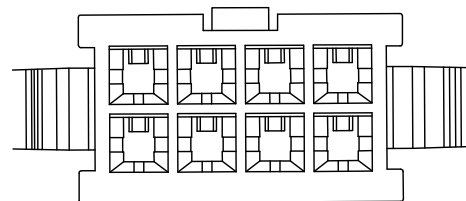


Material:
Housing:PA66,UL 94V-0/2

Electrical Characteristics:
Rated Current:7.0A AC,DC
Voltage rating:600V AC,DC
Temperature range:-25°C ~ + 85°C
Insulator Resistance:1000M Ω Min
Withstanding Voltage:1500V AC/minute
Contact Resistance:20m Ω Max

Order Information:
L-KLS1-4.20-2×02-FH

L: RoHS
Pitch:4.20mm
Pins:
1-Single layer
2-Double layer
No. of 01~12 pins
Type:
MH / FH -Hosing
MT / FT-Terminal
W1-Without ear

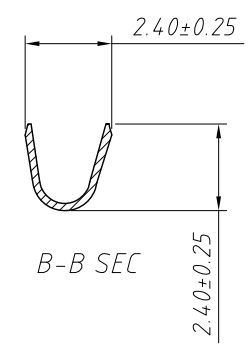
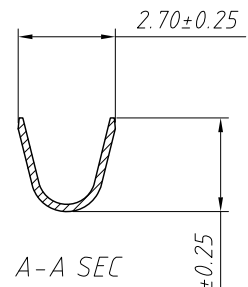
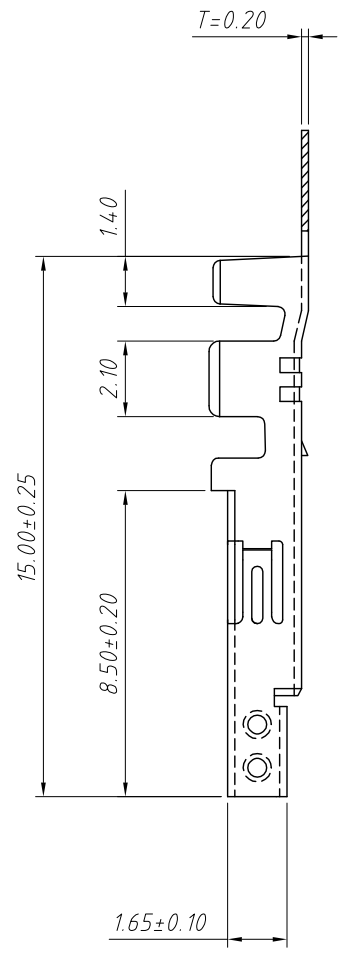
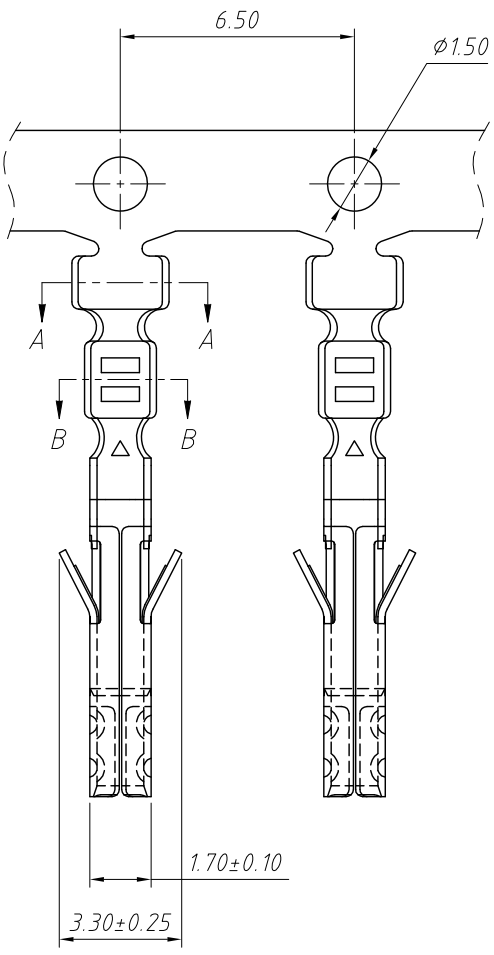


ANGLE TOLERANCE	PROJECTION	Description:	4.20mm Pitch Molex Mini-Fit JR 5556 5557 5559 5566 5569 Wire To Board Connector
$\pm 3^\circ$			
GENERAL TOLERANCE	UNITS	mm	KLS P/N: L-KLS1-4.20-2×02-FH
x.x ± 0.30	SHEET SIZE	A4	
x.xx ± 0.20	Draw:	Daniel	2021-01-11
x.xxx ± 0.10	Check:	Daniel	2021-01-11



NingBo KLS ELECTRONIC CO.,L TD.

1
RoHS Compliance



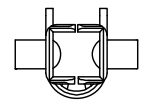
Material:
Terminal: Brass or Phosphor Beccorded
Finish: Tin Plated
Applicable wire: AWG#20-#24

Electrical Characteristics:
Rated Current: 7.0A AC,DC
Voltage rating: 600V AC,DC
Temperature range: -25°C ~ + 85°C
Insulator Resistance: 1000MΩ Min
Withstanding Voltage: 1500V AC/minute
Contact Resistance: 20mΩ Max

Order Information:

L-KLS1-4.20-FT

L: RoHS
Pitch: 4.20mm
Type:
MH / FH -Hosing
MT / FT -Terminal
W1-Without ear



ANGLE TOLERANCE	PROJECTION	Description:	4.20mm Pitch Molex Mini-Fit JR 5556 5557 5559 5566 5569 Wire To Board Connector
±3°			
GENERAL TOLERANCE	UNITS	mm	KLS P/N: L-KLS1-4.20-FT
x.x ±0.30	SHEET SIZE	A4	
x.xx ±0.20	Draw:	Daniel	2021-01-11
x.xxx ±0.10	Check:	Daniel	2021-01-11



NingBo KLS ELECTRONIC CO.,L TD.