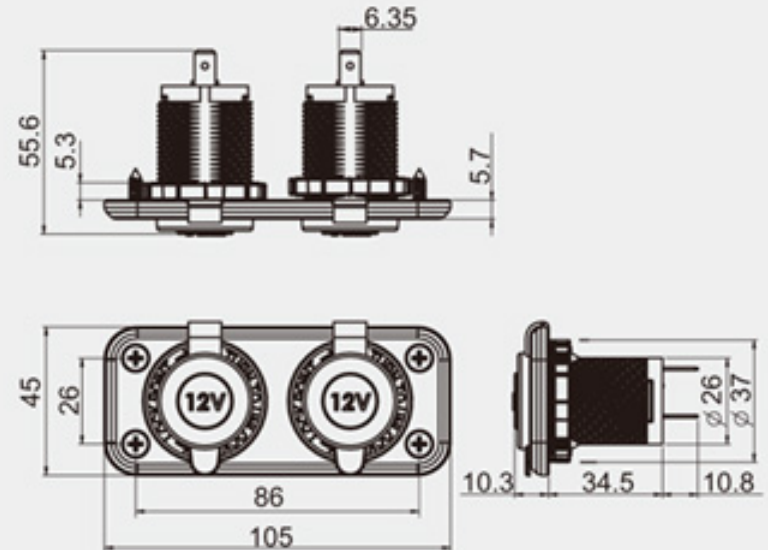


# A13-165



## FEATURES

- \* RATING: 20A max 12V DC or  
20A max 24V DC
- \* MATERIAL  
Mounting plate: ABS ( UL 94-HB ).  
Housing: nylon with glass fiber ( UL 94-HB ).  
Inner contact: nickel plated metal.  
Contact: nickel plated metal.
- \* Dual power receptacles with mounting plate.
- \* Fits with  $\varnothing 21$  plugs.
- \* Watertight sealing cap.
- \* SeaLink locking system.



## Mounting hole

