

Automobile Rocker Switch

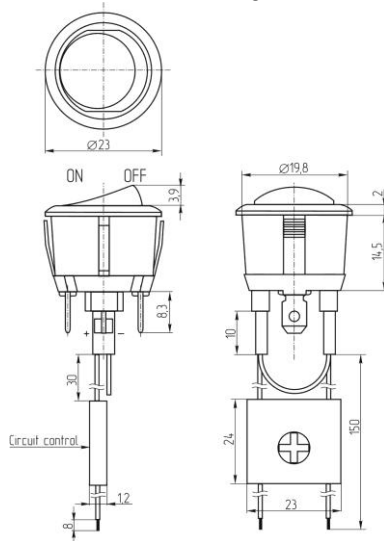
Q-2097

TYPE: R13-112AHU
Rocker

SPECIFICATIONS

Rating: 20A 12V DC
 Contact R: 50mΩ max
 Insulation R: 500V DC 100MΩ min
 Dielectric Strength: 1 Minute 1500V AC
 Operating Temperature: -25°C ~ +85°C
 Electrical Life: 10, 000 Cycles

Outline Drawing



Mounting

Circuitry

