

# Tact Switch

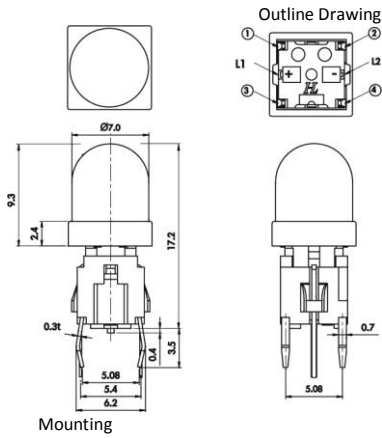
**Q-9799**

TYPE: **PB6146L**



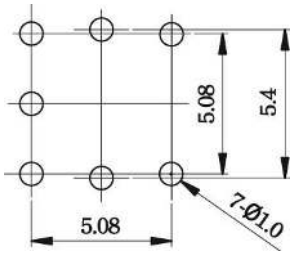
## SPECIFICATIONS

Contact Type	SPST
Rating	DC 12V, 50mA
Contacts Resistance	100mΩ Max
Insulation Resistance	100MΩ Min
Minimum Load	DC 500V
Dielectric Strengths	AC 250V / 1 minute
Life Test	300 000 Cycles Min
Operating temperature range	-20°C to +70°C
Operating Force	160 ± 50gf



### LED Color

<b>1</b>	Red
<b>2</b>	Yellow
<b>3</b>	Green
<b>4</b>	Blue
<b>5</b>	White
-	Non-illuminated



### Circuitry

