

# Power Switch

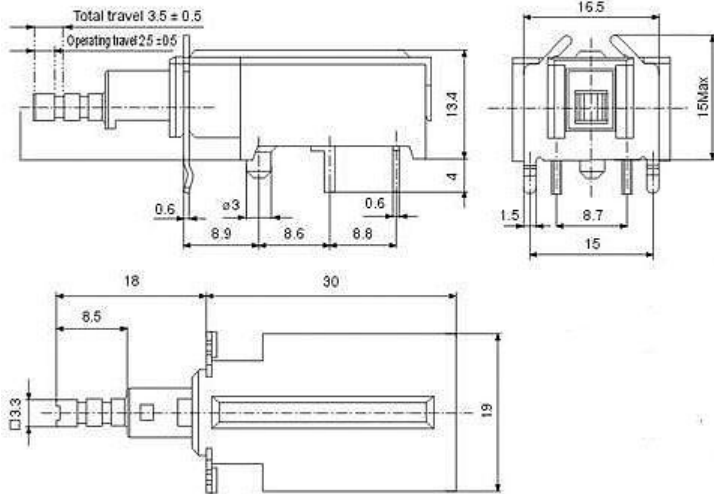
**Q-10029**

TYPE: **KDC-A16**

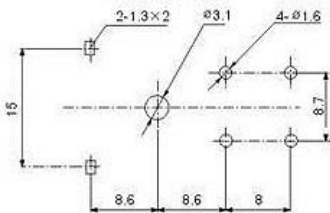
## SPECIFICATIONS

Rating: 4A 250V AC  
Contact R: 50M $\Omega$  max  
Insulation R: 500V DC 100M $\Omega$  min  
Dielectric Strength: 1 Minute 1500V AC  
Operating Temperature: -25°C ~ +85°C  
Electrical Life: 30, 000 Cycles

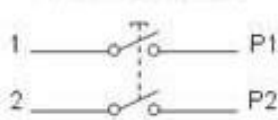
Outline Drawing



Mounting



Circuitry



**ON - OFF**  
**4P**