

# Speaker Specification

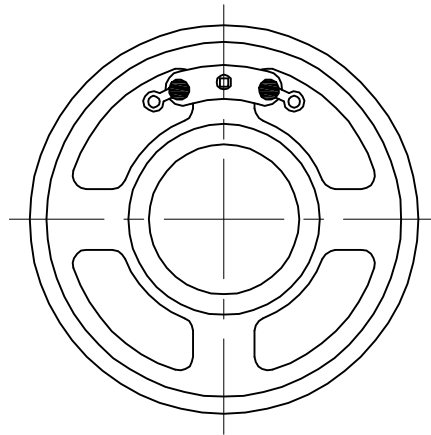
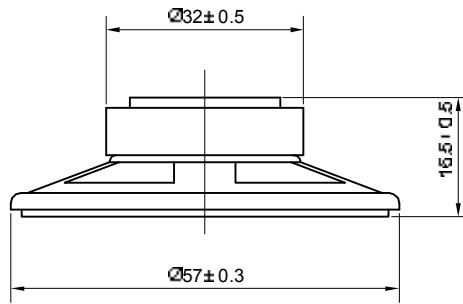
Customer's Model No.		Customer	
Kepo Model No.		KPSP57170MF-08/0.25G	Size
		∅57mm	No. J19218
No.	Item	Specification	Test Condition
1	Impedance	8Ω±15%	at 800Hz
2	Resonant Fr. (f <sub>0</sub> )	400Hz±20%	
3	Frequency Range	F0-8.0KHz	
4	Rated Power	0.25W	
5	Max Power	0.5W	
6	S.P.L.	94±3dB	0.1W / 0.1M at AVG0.8,1.0,1.2,1.5 KHz
7	Distortion	Max 5%	at rated power 1.0kHz
8	Sweep Test	must be normal	at sine wave 1.4V
9	Load Test	after test meet item 8	rated noise power, 24 Hrs.
10	Heat Test	after test meet item 8	50±2℃ 5Hrs.
11	Cold Test	after test meet item 8	-20±2℃ 5Hrs.
12	Humidity Test	after test meet item 8	40±2℃,90/95%R.H. 5Hrs.
13	Weight		
14	Polarity Test	When supplied plus D.C. voltage to (+) terminal, the cone must move to forward.	
15	Note		



Ningbo Kepo Electronics Co.,Ltd.

<http://www.chinaacoustic.com>

Dimensions:



FIRST ANGLE PROJECTION

UNIT : mm  
Tolerance :  $\pm 0.2$