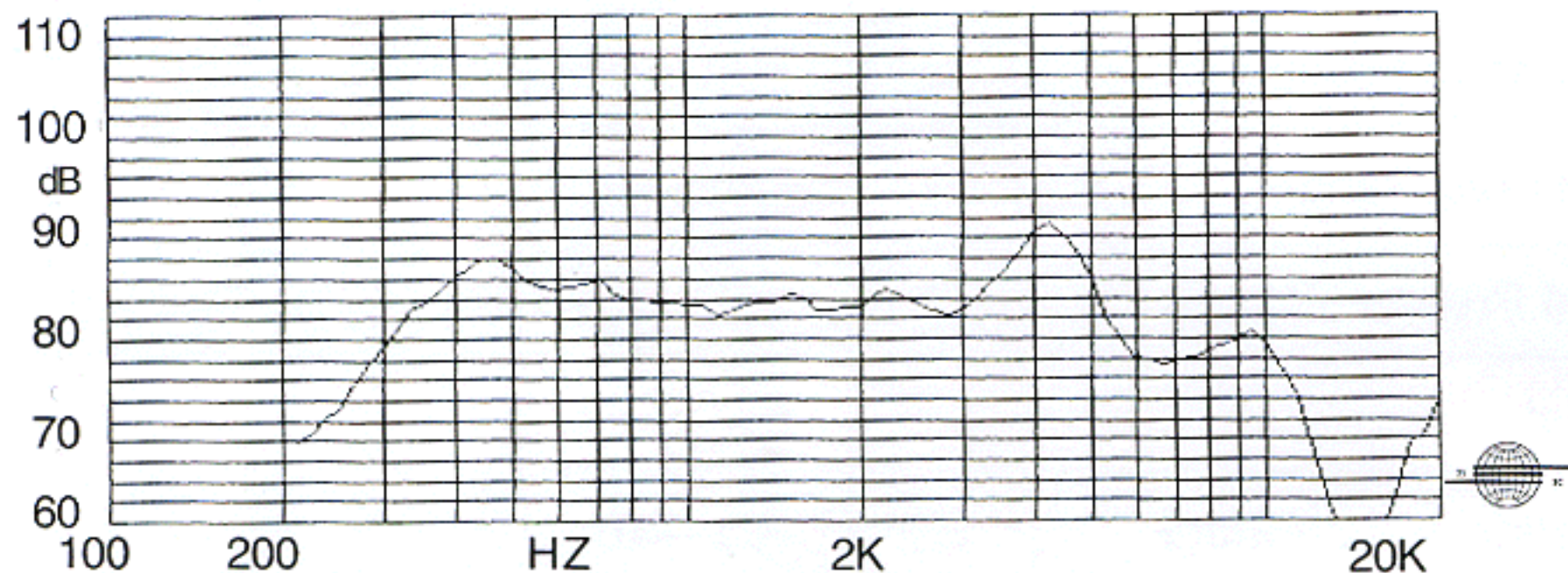


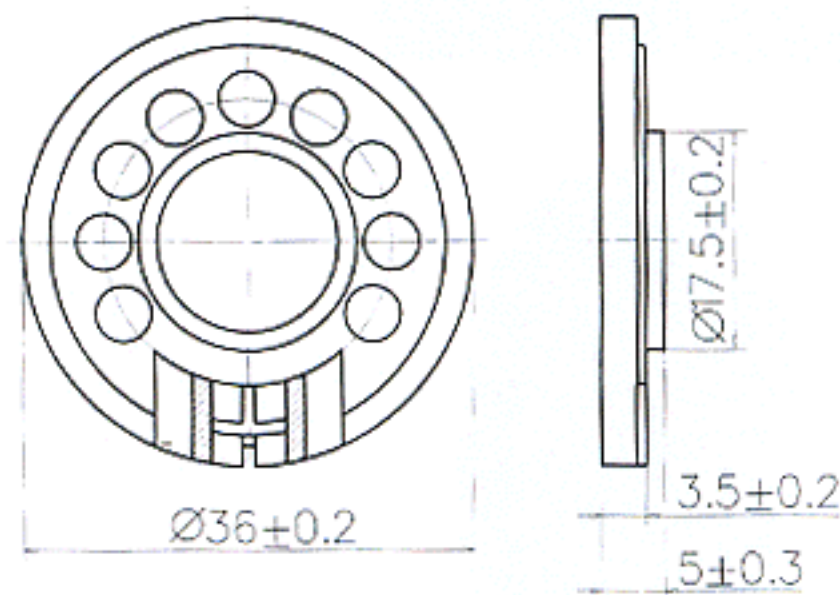
YDB36-13C



FREQUENCY RESPONSE



DIMENSIONS



SPECIFICATIONS

Rated Impedance	Ω	$8 \pm 15\%$
Rated(Max.)Power	W	0.25(0.5)
Resonance Frequency	Hz	450 ± 100
Rated Freq.Range	Hz	$f_0 \sim 5000$
Sound Pressure Level	dB	83 ± 3
Magnet	g	1.1
Operating Temperature	$^{\circ}\text{C}$	$-40 \sim +90$