

# SPECIFICATION

## 1. SCOPE

This specification is applied to the piezo-element.

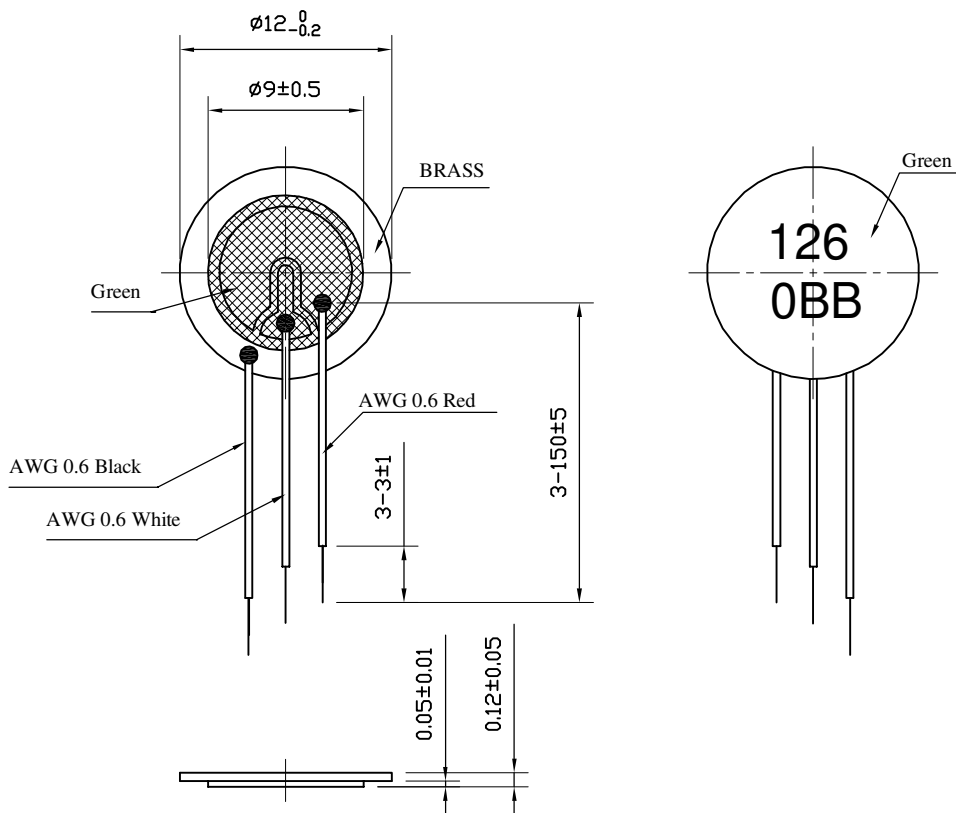
## 2. SPECIFICATION

(at 25°C)

- 2.1 Resonant Frequency : 6.0 ± 0.5 KHz
- 2.2 Resonant Resistace : 500 Ω max
- 2.3 Capacitance : 12000 pF ± 30% at 100Hz
- 2.4 Input Voltage : 30 Vp-p max
- 2.5 Operating Temperature : -20~+50°C
- 2.6 Storage Temperature : -20~+60°C

## 3. DIMENSION

as per figure



TOLERANCES UNLESS NOTED OTHERWISE .X ± .XX ± .XXX ± 90° FORMED +2° ANGLES -1° FIRST ANGLE PROJECTION 	DRAWN		KEPO MODEL NO.	CUSTOMER			
	DESIGN		<b>CBC1260BB-L150-G-1</b>	<b>QUARTZ-1</b>			
	CHECKED			CUSTOMER NO.			
	APPROVED		DWG NO.	VER	1.0	SCALE	
	DATE	06.03.10	OEM2073	UNIT	mm	SHEET	
	CONTRACT NO.		<b>KEPO CO.,LTD.</b>	TEL:(+86)574-88370330			
AGENCY APPROVAL		FAX:(+86)574-88370329					

1

2

3

4