

# SPECIFICATION

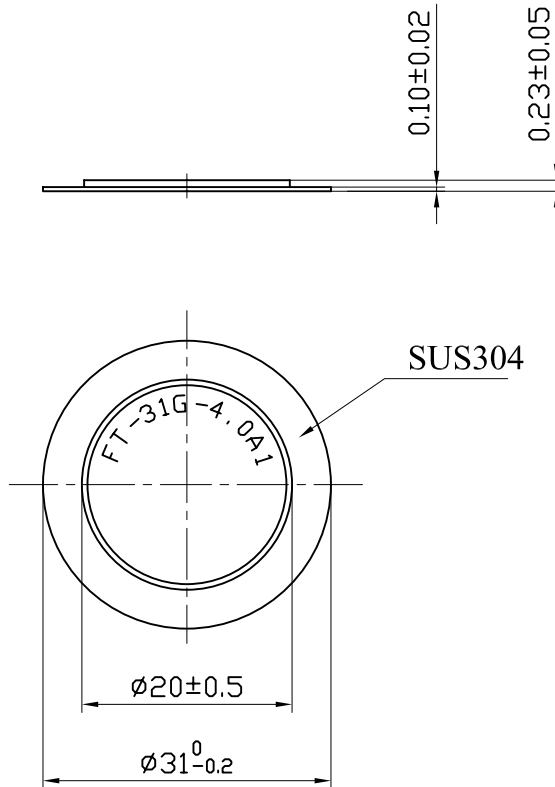
## 1. SCOPE

This specification is applied to the piezo-element.

## 2. SPECIFICATION

(at 25°C)

- |                           |   |                         |
|---------------------------|---|-------------------------|
| 2.1 Resonant Frequency    | : | 4.0 ± 0.5 KHz           |
| 2.2 Resonant Resistace    | : | 500 Ω max               |
| 2.3 Capacitance           | : | 55000 pF ± 30% at 100Hz |
| 2.4 Input Voltage         | : | 30 Vp-p max             |
| 2.5 Operating Temperature | : | -20 ~ +60°C             |
| 2.6 Storage Temperature   | : | -20 ~ +70°C             |
| 3. DIMENSION              | : | as per figure           |

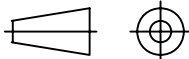


TOLERANCES UNLESS NOTED OTHERWISE

.X ±  
.XX ±  
.XXX ±

90° FORMED +2°  
ANGLES -1°

FIRST ANGLE PROJECTION



DRAWN

DESIGN

CHECKED

APPROVED

DATE

05.08.10

CONTRACT NO.

AGENCY APPROVAL

KEPO MODEL NO.

FT-31G-4.0A1-1719

DWG NO.

OEM1719

**KEPO CO., LTD.**

CUSTOMER

QUARTZ-1

CUSTOMER NO.

VER

1.0

SCALE

UNIT

mm

SHEET

TEL: (+86) 574-88370330

FAX: (+86) 574-88370329