

# SPECIFICATION

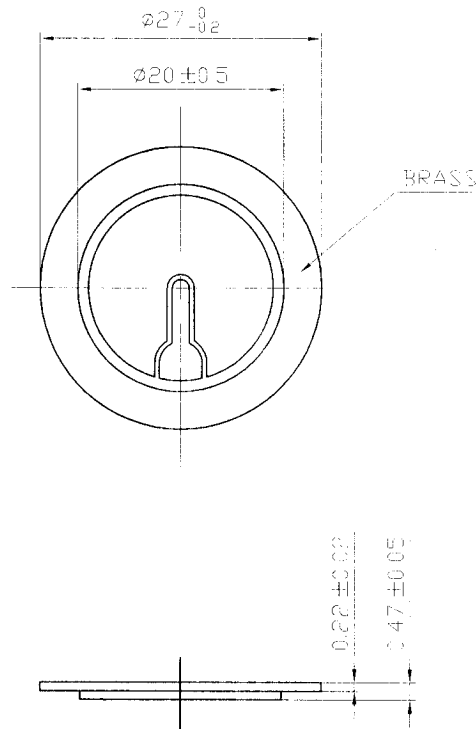
## 1. SCOPE

This specification is applied to the piezo-element.

## 2. SPECIFICATION (at 25°C)

- 2.1 Resonant Frequency : 4.5 ± 0.3 KHz
- 2.2 Resonant Resistance : 250 Ω max
- 2.3 Capacitance : 18000 pF ± 30% at 100Hz  
(反馈极容量: 1700-2500 pf)
- 2.4 Input Voltage : 30 Vp-p max
- 2.5 Operating Temperature : -20~+60°C
- 2.6 Storage Temperature : -20~+70°C

## 3. DIMENSION as per figure



TOLERANCES UNLESS NOTED OTHERWISE .X ± .XX ± .XXX ± 90° FORMED +2° ANGLES -1°	DRAWN	<i>[Signature]</i>	KEPO MODEL NO.	CUSTOMER			
	DESIGN		FT-27T-4.5B1	CUSTOMER NO.			
	CHECKED		DWG NO.				
	APPROVED	<i>[Signature]</i>	KP3.841.795.03	.VER	1.0	SCALE	
	DATE	08.04.24		UNIT	mm	SHEET	
	CONTRACT NO.			<b>KEPO CO., LTD.</b> TEL: (+86)574-88370330 FAX: (+86)574-88370329			
	AGENCY APPROVAL						
FIRST ANGLE PROJECTION 							

1

2

3

4