

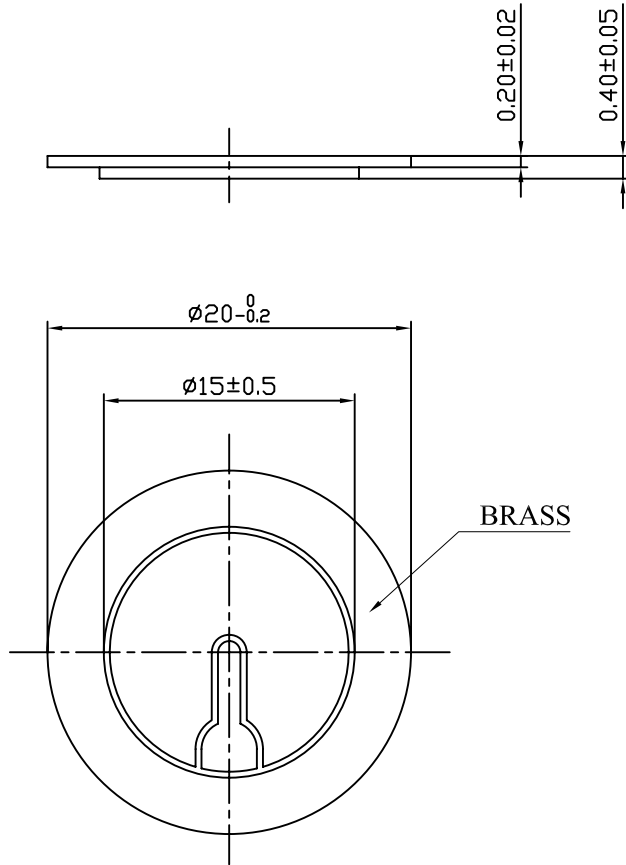
# SPECIFICATION

## 1. SCOPE

This specification is applied to the piezo-element.

## 2. SPECIFICATION (at 25°C)

2.1 Resonant Frequency	:	5.0~5.4 KHz
2.2 Resonant Resistace	:	250 Ω max
2.3 Capacitance	:	18000± 30% pF at 100Hz
2.4 Input Voltage	:	30 Vp-p max
2.5 Operating Temperature	:	-20~+60°C
2.6 Storage Temperature	:	-20~+70°C
3. DIMENSION	:	as per figure



TOLERANCES UNLESS NOTED OTHERWISE .X ± .XX ± .XXX ± 90° FORMED +2° ANGLES -1°	DRAWN		KEPO MODEL NO.	CUSTOMER			
	DESIGN		FT-20T-5.6B1	CUSTOMER NO.			
	CHECKED						
	APPROVED		DWG NO.	VER	1.0	SCALE	
	DATE	02.06.25	KP3.842.806				
	CONTRACT NO.			<b>KEPO CO.,LTD.</b>	TEL:(+86)574-88370330 FAX:(+86)574-88370329		
AGENCY APPROVAL							

