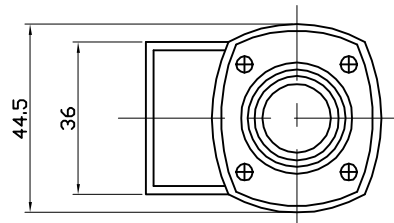
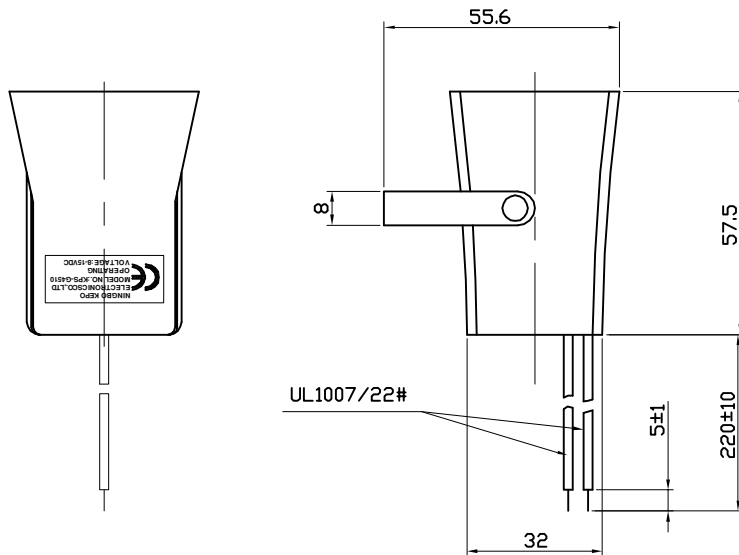


# Specification (Test Condition, 25°C)

1. Housing Material/ Color..... ABS /Black
2. Power Rating RMS ..... 10 W
3. Power Rating Peak ..... 15 W
4. Rated Voltage ..... 12 VDC
5. Range Voltage ..... 8--15 VDC
6. S.P.L. .... min. 100 dB(at 1 meter, 12VDC)
7. Current Draw ..... 200 mA Max.( at 12 VDC)
8. Load Test ..... 8 Hours (at 12 VDC)
9. Heat Test ..... 8 Hours (at 65°C)
10. Operating Temperature range ..... -20 ~ +65°C
11. Wires Connection ..... Red +12V  
..... Black GND
12. Weight ..... 65±5 g



Compliance with ROHS

**KEPO** NINGBO KEPO ELECTRONIC CO.,LTD  
<http://www.chinaacoustic.com>

**Electronic Siren**  
**KPS-G4510**

UNIT mm DWG NO. **KP3.840.407R**

No.	DESCRIPTION	APPROVED	DATE
TOLERANCES UNLESS NOTED OTHERWISE: X . * XX + * XXX - * 90° FORMED +2° ANGLES ±1° FIRST ANGLE PROJECTION		APPROVALS	DATE
DRAWN			
CHECKED			
APPROVED			
		06.08.23	

SCALE NOT TO SCALE SHEET VER 1.1