

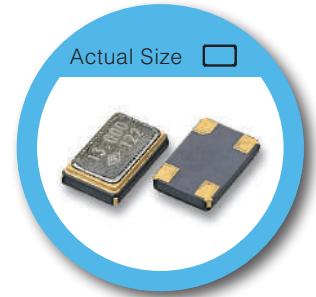
5.0 x 3.2 mm SMD Crystal – XV Type

FEATURE

- Typical 5.0 x 3.2 x 0.9 mm ceramic SMD package.
- 12 mm width Tape & Reel package for automatic assembly.
- Tight tolerance 10 ppm available.
- Packing: Tape & Reel, 1000/2000/3000/5000pcs per Reel.

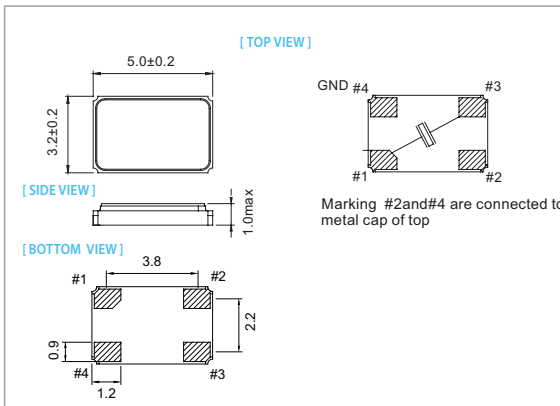
TYPICAL APPLICATION

- Bluetooth, GPS
- Display, TV(FPD/FTF LCD)
- Computer Peripherals

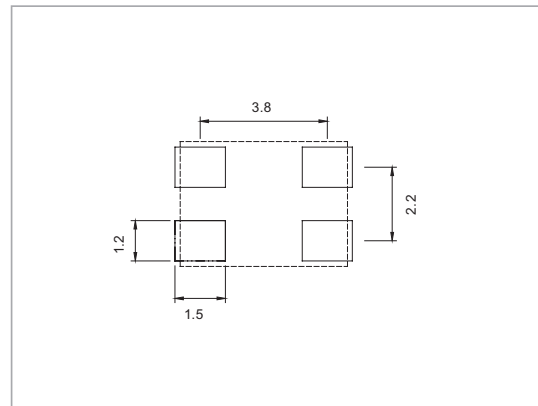


RoHS Compliant Standard

DIMENSION (mm)



SOLDER PAD LAYOUT (mm)



ELECTRICAL SPECIFICATION

Parameter	Min.	Typical	Max.	Unit
Storage Temp. Range	-55	-	125	°C
Level of Drive	-	10	300	µw
Shunt Capacitance (Co)	-	-	7.0	pF
Insulation Resistance	500 MΩ @ DC100V	-	-	
Aging		±3.0		ppm / year

Standard frequencies are frequencies which the crystal has been designed and does not imply a stock position.

EQUIVALENT SERIES RESISTANCE (E.S.R)

TYPE FREQUENCY	MODE	E.S.R
11 MHz ≤ Freq. < 12 MHz	A1	65Ω
12 MHz ≤ Freq. < 13 MHz	A1	60Ω
13 MHz ≤ Freq. < 16 MHz	A1	55Ω
16 MHz ≤ Freq. < 24 MHz	A1	50Ω
24 MHz ≤ Freq. < 48 MHz	A1	40Ω
48 MHz ≤ Freq. < 53.125 MHz	A1	45Ω
Freq. = 80 MHz	A3	60Ω

FREQ. STABILITY vs. TEMP. RANGE

Temp. (°C)	ppm			
	±5	±10	±15	±20
-10 ~ +60	△	○	○	○
-20 ~ +70	X	○	○	○
-40 ~ +85	X	X	△	○

* ○: Available △:Conditional X: Not available