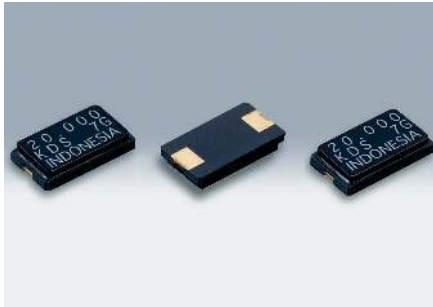
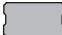


SMD Crystal Resonators / MHz Band Crystal Resonators

DSX840GA



Actual size 

■ Features

- 8045 size SMD crystal resonator with a profile of 1.4mm.
- Excellent heat resistance, high precision, and high reliability.
- Suitable for digital AV equipment as well as many other applications.

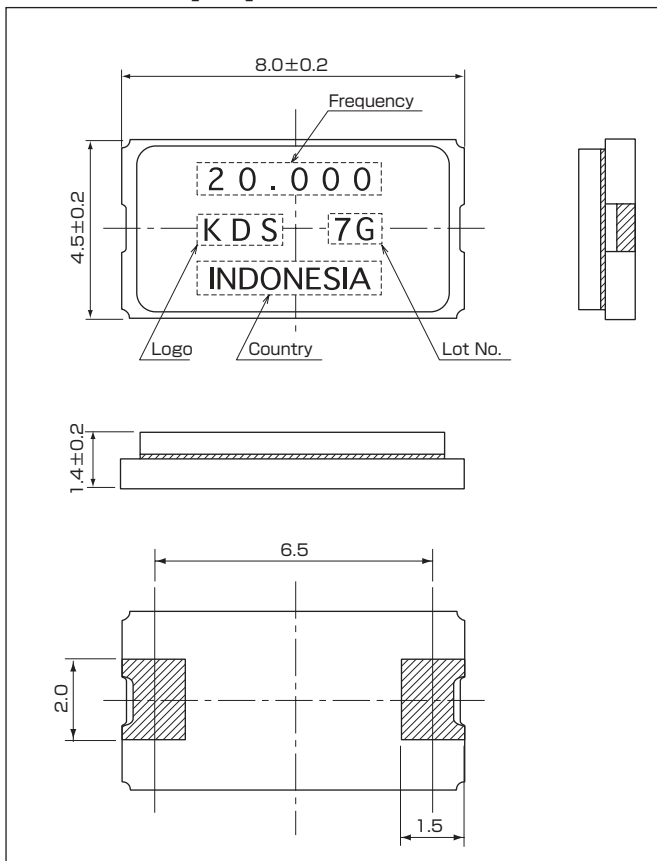


■ Standard Specification

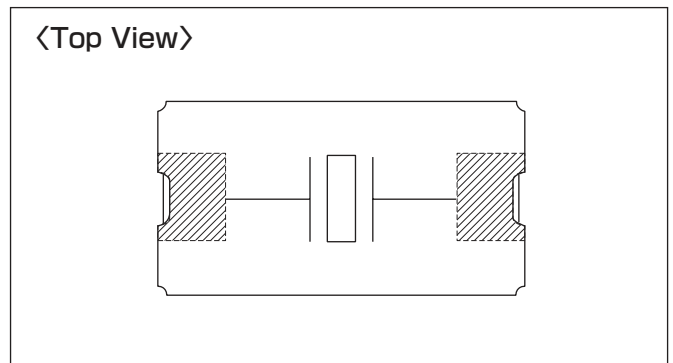
| Item | Type | DSX840GA | | | |
|--|------|---|----------|----------|-------------------|
| | | 8~10MHz | 10~12MHz | 12~50MHz | 40~80MHz |
| Frequency Range | | 8~10MHz | 10~12MHz | 12~50MHz | 40~80MHz |
| Overtone Order | | Fundamental | | | 3rd overtone |
| Load Capacitance | | Series, 8pF, 10pF, 12pF | | | Series |
| Drive Level | | 10μW (300μW max.) | | | 10μW (500μW max.) |
| Frequency Tolerance | | ±30×10 ⁻⁶ , ±50×10 ⁻⁶ , ±100×10 ⁻⁶ (at 25°C) | | | |
| Series Resistance | | 150Ω max. | 80Ω max. | 50Ω max. | 70Ω max. |
| Frequency Characteristics over Temperature | | ±30×10 ⁻⁶ / -10~+60°C (Ref. to 25°C) | | | |
| | | ±50×10 ⁻⁶ / -20~+70°C (Ref. to 25°C) | | | |
| | | ±100×10 ⁻⁶ / -30~+85°C (Ref. to 25°C) | | | |
| Storage Temperature Range | | -40~+85°C | | | |
| Packing Unit | | 1000pcs./reel (φ250) | | | |
| Standard Specification | | Refer to page 37 | | | |

Consult our sales representative for other specifications.

■ Dimensions[mm]



■ Internal Connections



■ Recommended Land Pattern

[mm]

