


SMD Tuning Fork Crystal Resonators / kHz Band Crystal Resonators

DMX-26S



Actual size 

■ Features

- A plastic encapsulated low profile SMD version of the DT-26 tuning fork crystal resonator.
- Correspond to automatic mounting and reflow soldering.
- Suitable for digital AV equipment, PC, gaming equipment as well as many other applications.
- Also suitable for automotive applications (AEC-Q200 Compliant)

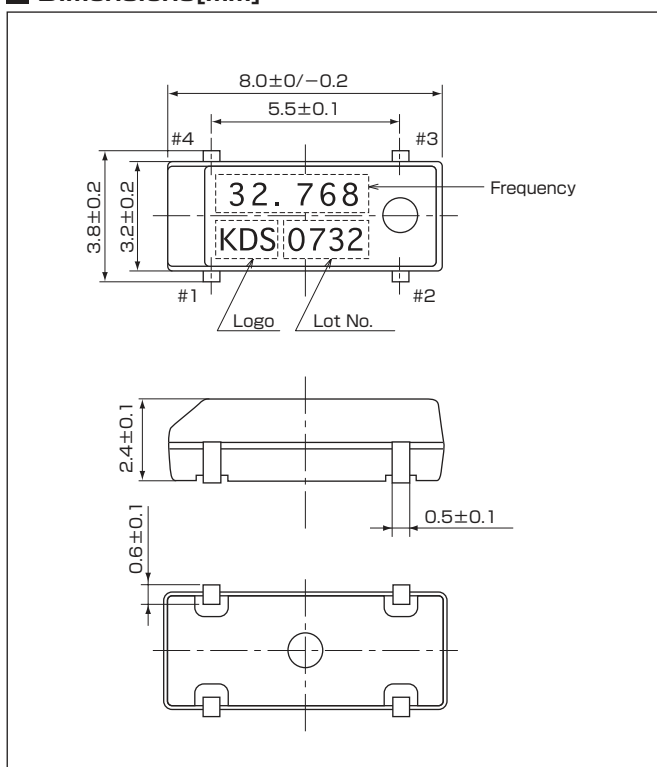
■ Standard Specification

Item	Type	DMX-26S
Frequency Range		32.768kHz (30~100kHz)
Load Capacitance		12.5pF
Drive Level		1.0μW (2.0μW max.)
Frequency Tolerance		±30×10 ⁻⁶ (at 25°C)
Series Resistance		50kΩ max.
Turnover Temperature		+25±5°C
Two Dimensional Temperature Constant		-0.04×10 ⁻⁶ /°C ² max.
Operating Temperature Range		-40~+85°C
Storage Temperature Range		-40~+85°C
Shunt Capacitance		1.25pF Typ.
Packing Unit		2500pcs./reel (φ330)

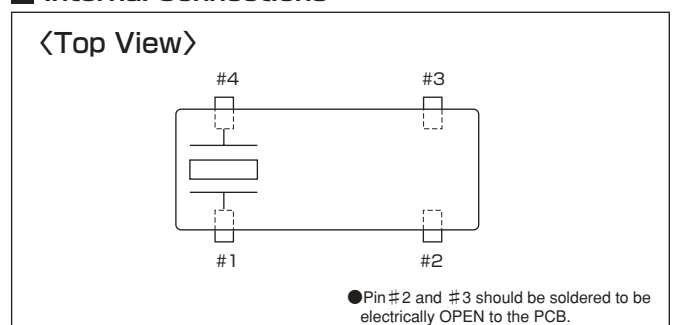
(※) The design is based on the DT-26 and DT-261.

Consult our sales representative for other specifications.

■ Dimensions[mm]



■ Internal Connections



■ Recommended Land Pattern

[mm]

