

# Capacitor Built-In Type Chip

## MHz Band Ceramic Resonators - SSR-B Series

### FEATURES

- 1) World's smallest (2.1x3.2x1.5 mm)
- 2) High density mounting possible
- 3) Wide frequency range in same case size
- 4) 2000 pieces per reel
- 5) Sold in increments of 2000 pieces

### HOW TO ORDER

#### SSR 33.86 B R

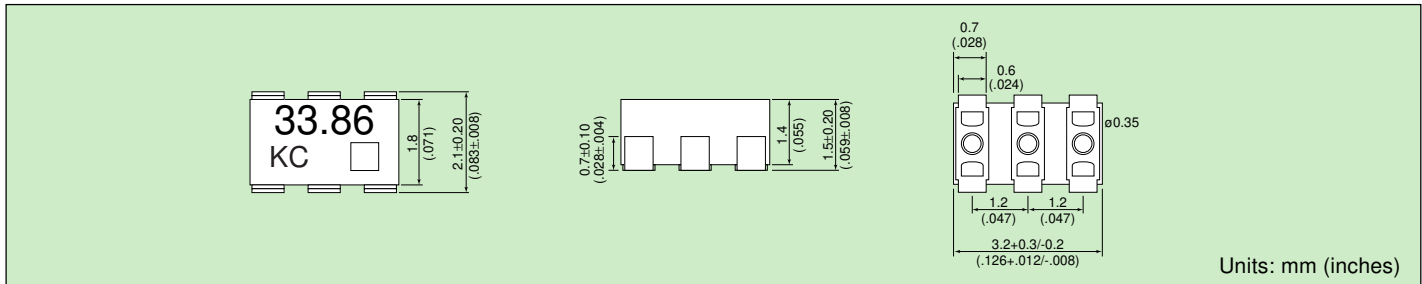
- ① ② ③ ④
- ① Type: (Super Small Resonator)
  - ② Oscillating frequency
  - ③ Resonator type: B = With capacitor
  - ④ Packaging: R = Tape and reel



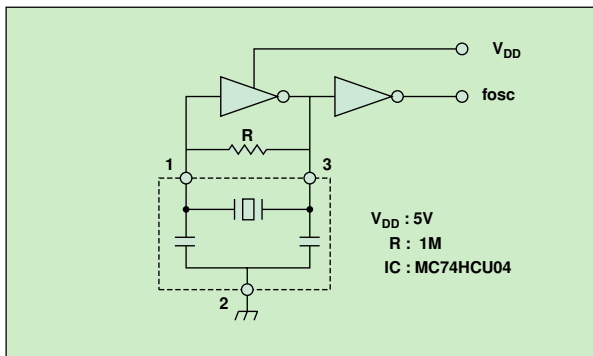
### SPECIFICATIONS

Frequency Range	Frequency Tolerance	Resonant Impedance	Temperature Stability (-20~80°C)	IC	Popular Frequencies
16~60MHz	±0.5%	100 max.	±0.3%	MC74HCU04 (MOTOROLA)	16, 25, 27, 29, 33.86, 40

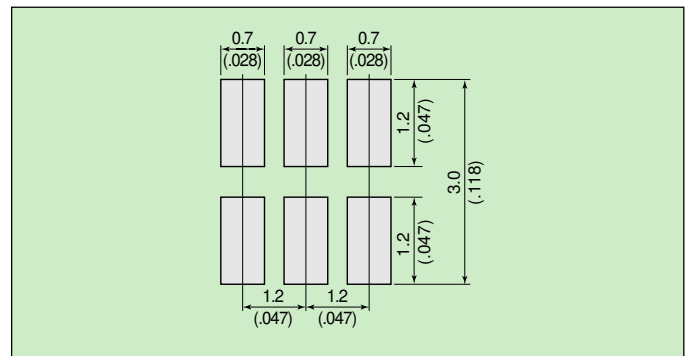
### DIMENSIONS



### TEST CIRCUIT



### RECOMMENDED LAND PATTERN



### PACKAGING: TAPE and REEL

