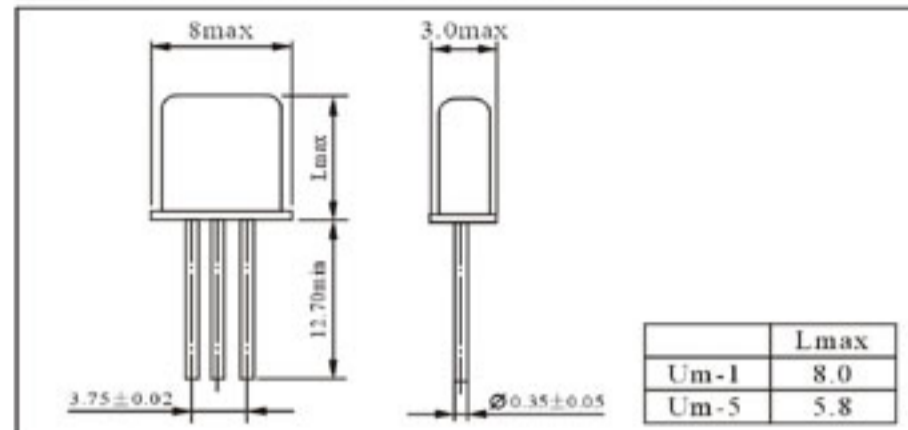


MONOLITHIC CRYSTAL FILTER

单片晶体滤波器

UM-1/UM-5 DIP TYPE

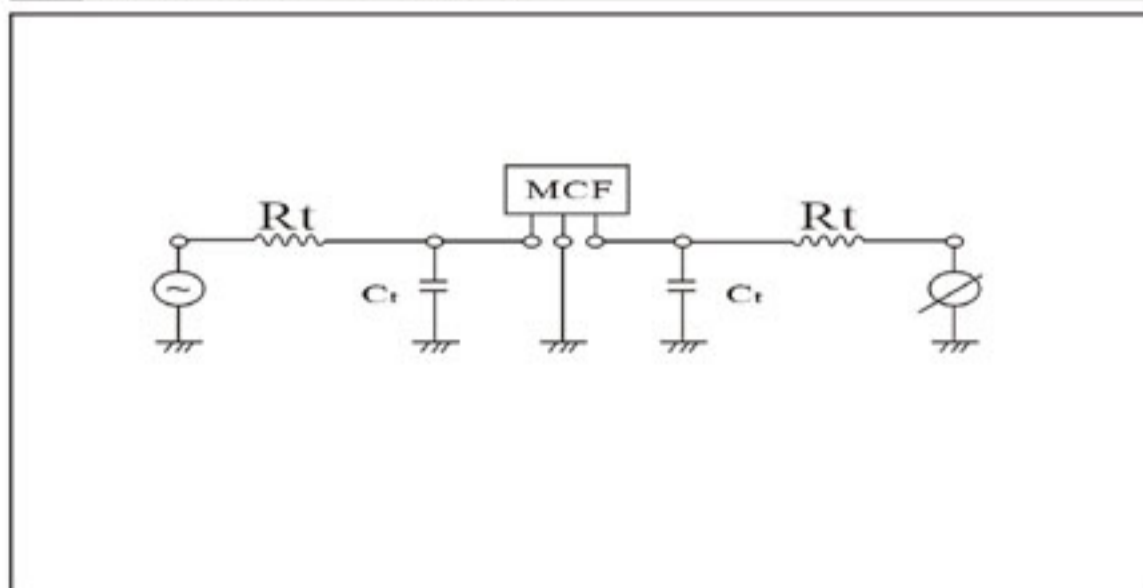
DIMENSIONS(Unit:mm) 外形尺寸



UM-1/UM-5 2 POLE

| Model 型号 | Nominal Frequency 标称频率 MHz | Pass Band Width 通带宽度 KHz/dB | Stop Band Width 阻带宽度 KHz/dB | Ripple 带内波动 dB | Insertion Loss 插入损耗 dB | Terminal Impedance 终端阻抗 Rt//Ct[Ω//pF] | Operating Temp.Range 工作温度范围 °C | Mode of Oscillation 振动模式 | Pole 极点 |
|-------------|-------------------------------------|--------------------------------------|--------------------------------------|----------------------|---------------------------------|--|---|----------------------------------|------------|
| FT21M07A | 21.400 | ±3.75/3 | ±14/18 | 0.5 | 1.5 | 850//7 | -20°C~70°C | Fund | 2 |
| FT21M09A | 21.400 | ±4.50/3 | ±12.5/14 | 0.5 | 1.5 | 850//7 | -20°C~70°C | Fund | 2 |
| FT21M12A | 21.400 | ±6.00/3 | ±20/15 | 0.5 | 1.5 | 1200//2.5 | -20°C~70°C | Fund | 2 |
| FT21M15A1 | 21.400 | ±7.50/3 | ±25/18 | 0.5 | 1.5 | 1500//3 | -20°C~70°C | Fund | 2 |
| FT21M15A2 | 21.400 | ±7.50/3 | ±30/18 | 0.5 | 2.0 | 1500//3 | -20°C~70°C | Fund | 2 |
| FT21M15A3 | 21.400 | ±7.50/3 | ±30/18 | 1.0 | 2.0 | 1500//2.0 | -20°C~70°C | Fund | 2 |
| FT21M20A | 21.400 | ±10.0/3 | ±25/10 | 0.5 | 1.5 | 1800//1.5 | -20°C~70°C | Fund | 2 |
| FT21M30A | 21.400 | ±15.0/3 | ±45/15 | 0.5 | 1.5 | 3000//0.5 | -20°C~70°C | Fund | 2 |
| FT21P07A | 21.600 | ±3.75/3 | ±14/18 | 0.5 | 1.5 | 850//5 | -20°C~70°C | Fund | 2 |
| FT21P12A | 21.600 | ±6.00/3 | ±20/15 | 0.5 | 1.5 | 1200//2.5 | -20°C~70°C | Fund | 2 |
| FT21P15A | 21.600 | ±7.50/3 | ±25/18 | 0.5 | 1.5 | 1500//3 | -20°C~70°C | Fund | 2 |
| FT21T07A1 | 21.700 | ±3.75/3 | ±14/18 | 0.5 | 1.5 | 850//5 | -20°C~70°C | Fund | 2 |
| FT21T07A2 | 21.700 | ±3.75/3 | ±15/18 | 0.5 | 1.5 | 850//6 | -20°C~70°C | Fund | 2 |
| FT21T09A | 21.700 | ±4.50/3 | ±12.5/14 | 0.5 | 1.5 | 1500//4 | -20°C~70°C | Fund | 2 |
| FT21T12A | 21.700 | ±6.00/3 | ±20/15 | 0.5 | 1.5 | 1200//2.5 | -20°C~70°C | Fund | 2 |
| FT21T15A | 21.700 | ±7.50/3 | ±25/18 | 0.5 | 1.5 | 1500//3 | -20°C~70°C | Fund | 2 |
| FT21T20A | 21.700 | ±10.0/3 | ±25/10 | 0.5 | 1.5 | 1800//1.5 | -20°C~70°C | Fund | 2 |
| FT21T30A | 21.700 | ±15.0/3 | ±45/15 | 0.5 | 1.5 | 3000//0.5 | -20°C~70°C | Fund | 2 |
| FT21S07A | 21.750 | ±3.75/3 | ±25/18 | 0.5 | 1.5 | 1500//3 | -20°C~70°C | Fund | 2 |
| FT23M07A | 23.050 | ±3.75/3 | ±12.5/16 | 0.5 | 1.5 | 1600//5 | -20°C~70°C | Fund | 2 |
| FT23M15A | 23.050 | ±7.50/3 | ±25/18 | 0.5 | 1.5 | 1500//3 | -20°C~70°C | Fund | 2 |
| FT30M15A | 30.875 | ±7.50/3 | ±25/15 | 0.5 | 1.5 | 800//6 | -20°C~70°C | Fund | 2 |
| FT45M07A | 45.000 | ±3.75/3 | ±12.5/10 | 0.5 | 1.5 | 510//5.5 | -20°C~70°C | Fund or 3 rd overtone | 2 |
| FT45M15A | 45.000 | ±7.50/3 | ±25/14 | 0.5 | 1.5 | 550//3 | -20°C~70°C | Fund | 2 |
| FT45M30A | 45.000 | ±15.0/3 | ±50/10 | 0.5 | 1.5 | 510//5.5 | -20°C~70°C | Fund | 2 |

TEST CIRCUIT 测量线路



PASS BAND FILTER SPEC-DRAWING

