



Filters

High-Selectivity for TV/VCR Stage Ceramic Filter / 陶瓷滤波器

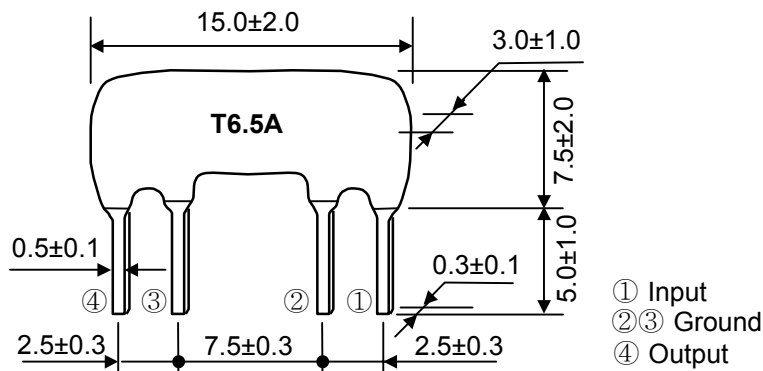
High-Selectivity LTT Filters is 4 element devices that offer more selectivity than the conventional LT series (Murata SFE). The improved spurious suppression of these filters eliminates the need for cascading multiple filtering devices; therefore, it is possible to design a more compact circuit board configuration.

► LTT High-Selectivity Series for TV/VCR Stage (Murata SFT Series Compatible) 4.5 MHz ~ 6.74 MHz

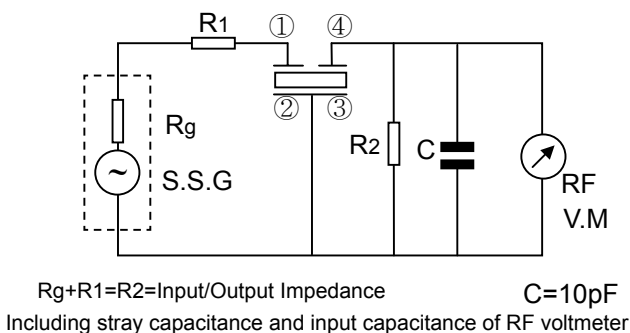
Ceramic LTT MA Filters Technical Characteristics

Part Number	Nominal Center Frequency (fo) (MHz)	3dB Band Width (kHz) min	20dB Band Width (kHz) max	Insert Loss (dB) max	Spurious Attenuation (dB) min	Input/Output Impedance (Ω)
LTT4.5MA	4.500	fo±40	370	10.0	40(4.5 ^{+0.8} _{-1.0} MHz)	1000
LTT4.72MA	4.724	fo±40	370	10.0	40(4.72 ^{+0.8} _{-1.0} MHz)	1000
LTT5.5MA	5.500	fo±50	350	9.0	40(5.5±1MHz)	600
LTT5.74MA	5.742	fo±50	350	9.0	50(5.74±1MHz)	600
LTT6.0MA	6.000	fo±50	400	9.0	50(6.0±1MHz)	470
LTT6.25MA	6.250	fo±50	400	9.0	50(6.25±1MHz)	470
LTT6.5MA	6.500	fo±50	400	9.0	50(6.5±1MHz)	470
LTT6.74MA	6.742	fo±50	400	9.0	50(6.74±1MHz)	470

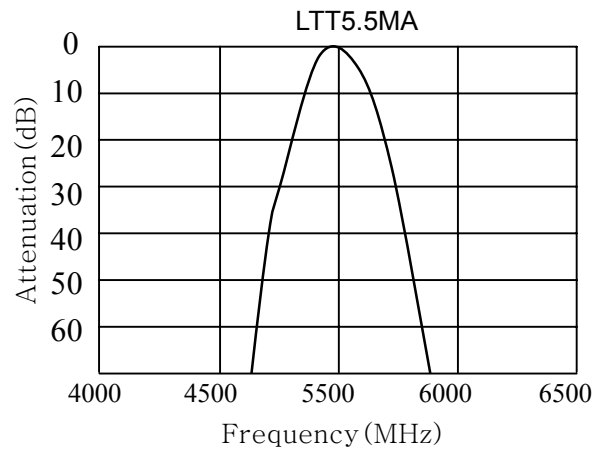
► LTT MA Filter Dimensions



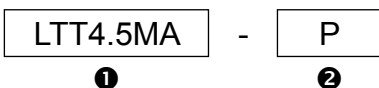
► LTT MA Filter Test Circuit



LTT MA Filter Characteristics



► How to Order



① Part Number ② Packaging