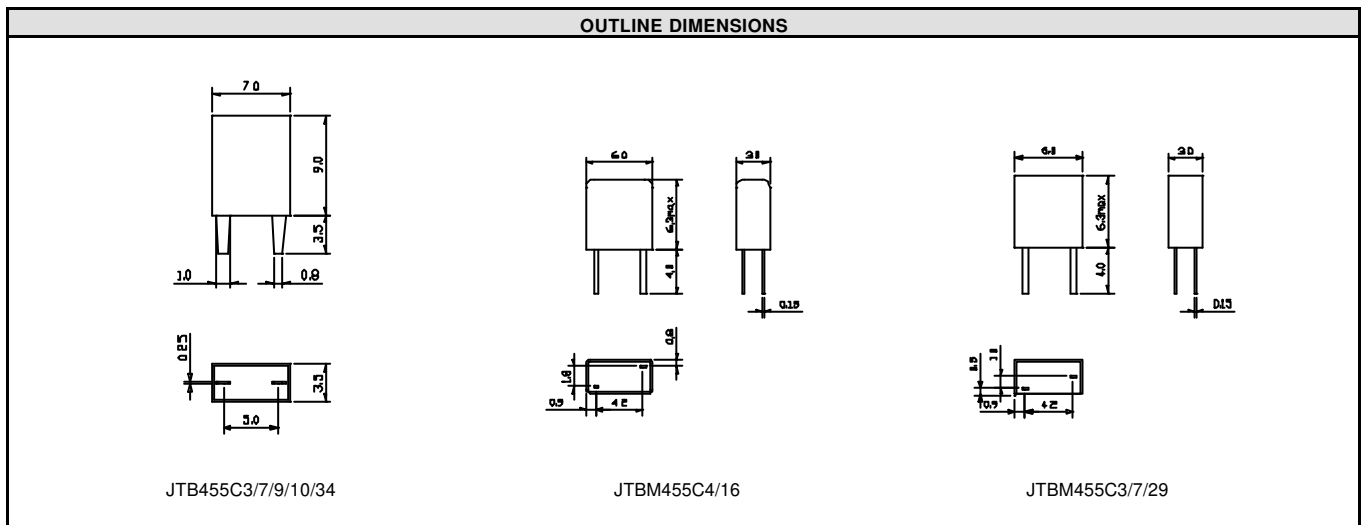


JTB(M)455 Series Ceramic Discriminator

JTB(M)455 series ceramic discriminators are constructed of wideband piezoelectric elements that allow for adjustment free audio detection. These IC specific devices are utilized in various communication equipment for wideband uses.

JTB(M)455

| SPECIFICATIONS | | | | | | | | |
|----------------|----------------------------------|------------------------------|----------------------------|---------------------------|----------------------------|---------------------------|-------------------------|--------------------|
| Model | Demodulation 3dB Bandwidth (min) | Demodulation Output (455KHz) | Distortion Factor (455KHz) | Impedance Characteristics | | | | |
| | | | | Resonant Frequency(Fr) | Antiresonant Frequency(Fa) | $\Delta F(KHz)$ (Fa - Fr) | Resonant Resistance(Rt) | Capacitance (C) pF |
| JTB455C3 | | | | | 455 ± 1.5KHz | 48 ± 5 | 70Ω max | 600 ± 20% |
| JTB455C7 | ± 4.0KHz | 340 ± 60mV | 2.5% max | | | | | |
| JTB455C9 | ± 5.0KHz | 100mV min | 1.5% max | | | | | |
| JTB455C10 | | | | 429 ± 2.0KHz | | 46KHz | 70Ω max | 580 ± 20% |
| JTB455C34 | ± 4.0KHz | 65 ± 20mV | 2.5% max | | | | | |
| JTBM455C4 | | | | | 470 ± 1.0KHz | 43 ± 1.0 | 300Ω max | 140 ± 20% |
| JTBM455C16 | ± 4.0KHz | 190 ± 50mV | 2.0% max | | | | | |
| JTBM455C3 | | | | | 455 ± 1.5KHz | 46 ± 5.0 | 70Ω max | 550 ± 20% |
| JTBM455C7 | ± 4.0KHz | 340 ± 60mV | 3.0% max | | | | | |
| JTBM455C18 | ± 3.0KHz | 180 ± 40mV | 2.0% max | | | | | |
| JTBM455C29 | ± 4.0KHz | 125 ± 30mV | 2.5% max | | | | | |
| JTBM455C28 | ± 4.0KHz | 40 ± 20mV | 3.0% max | | | | | |
| JTBM455C32 | ± 4.0KHz | 40 ± 20mV | 3.0% max | | | | | |



| IC COMPATIBLE CHARACTERICS | | | | | | | | | |
|----------------------------|-----------|-----------|-------|-------|------------|-----------|-----------|-------|-------|
| Model | IC Mfg. | IC Number | Note1 | Note2 | Model | IC Mfg. | IC Number | Note1 | Note2 |
| JTB455C3 | Sony | CXA1183 | * | | JTB455C12 | Piessy | SL6652 | | |
| JTB455C4 | Sanyo | LA8610 | * | | JTB455C13A | Sony | CXA1003BM | * | |
| JTB455C5 | NEC | μPC1167C | | * | JTB455C16 | Motolora | MC3372 | * | |
| JTB455C7 | Motorola | MC3357 | * | * | JTB455C29 | Signetics | NE605 | | |
| JTB455C8 | Philips | TDA1576 | | * | JTB455C34 | Motolora | MC13136 | | |
| JTB455C9 | Signetics | NE604/5 | * | * | JTB455C28 | Toshiba | TA31142 | * | * |
| JTB455C10 | Toshiba | TA8103F | * | | JTB455C32 | Toshiba | TA31143 | * | * |
| JTB455C11 | Siemens | S1469 | | | | | | | |

Note1: Available in miniature size
 Note2: Available in 450KHz
 Note3: JTB/JTBM parts require different external component