

TSC6

(F, S, R) SERIES

FEATURES

As well as applications to small sized electronic apparatus, this series is designed for easy handling and is available with a variety of adjustment method (top, buttome, side and double sides).

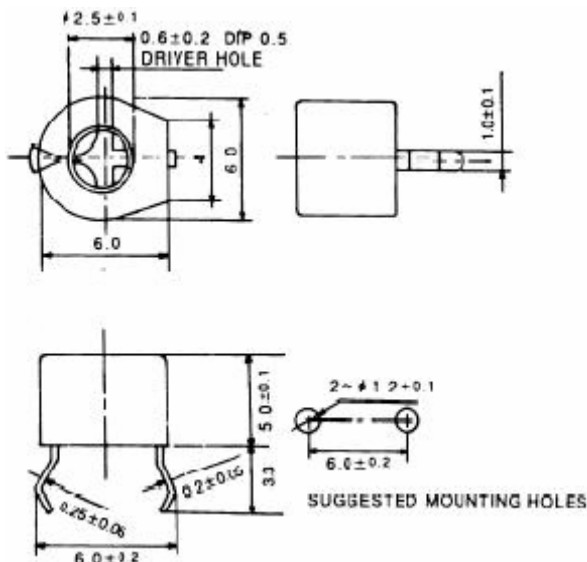
- Wide mounting sizes and types of adjustment available
- Lots of capacity ranges, 2pF through 90pF
- Sturdy mechanical structure againes vibration or shock

SPECIFICATIONS

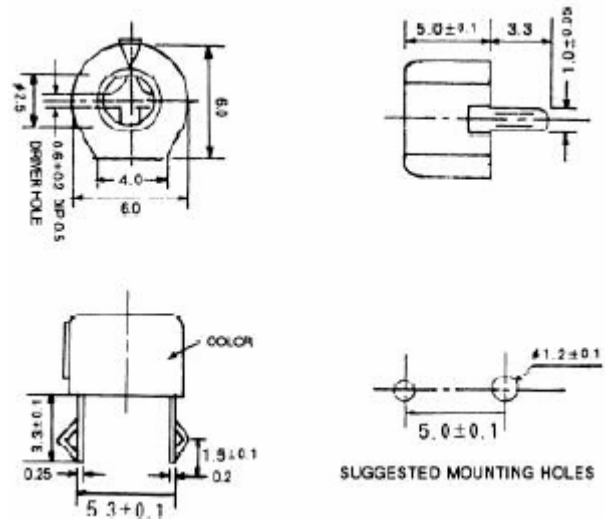
| | |
|-----------------------|-----------------|
| INSULATION RESISTANCE | 10 MΩ at 250VDC |
| WITHSTAND VOLTAGE | 400VDC |
| WORKING VOLTAGE | 200VDC |
| ROTATION TORQUE | 20 to 150 gr-cm |
| OPERATING TEMPERATURE | -30°C to +85°C |



FORMING TYPE

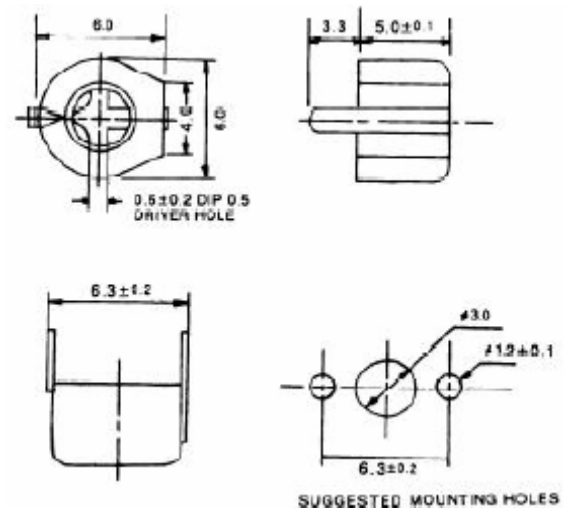


STRAIGHT TYPE



UNIT:MM

REARADJUSTING TYPE



| PART NO. | MIN. CAP. (PF) | MAX. CAP. (PF) | TEMP. COEFF. PPM/°C | Q FACTOR @ 1MHz Cmax | COLOR |
|-------------------|----------------|----------------|---------------------|----------------------|--------|
| TSC (F,S,R)06-050 | 2.0 max | 5 +100 -0 % | NPO ± 200 | >500 | BLUE |
| TSC (F,S,R)06-100 | 3.0 max | 10 +100 -0 % | N470 ± 300 | >500 | WHITE |
| TSC (F,S,R)06-200 | 4.2 max | 20 +50 -0 % | N450 ± 300 | >500 | RED |
| TSC (F,S,R)06-300 | 6.2 max | 30 +50 -0 % | N750 ± 500 | >500 | GREEN |
| TSC (F,S,R)06-400 | 6.8 max | 40 +50 -0 % | N1200 ± 500 | >300 | YELLOW |
| TSC (F,S,R)06-500 | 9.8 max | 50 +50 -0 % | N1200 ± 500 | >300 | BROWN |
| TSC (F,S,F)06-600 | 10.2 max | 60 +50 -0 % | N1200 ± 500 | >200 | BROWN |

Note: Specification are subject to change without notice. For more detail and update, please visit our website.