

### Stacked coin Type

Series: SG

- Feature Endurance : 70°C 1000 h  
Maximum height of 6 mm (H Terminal)

Japan

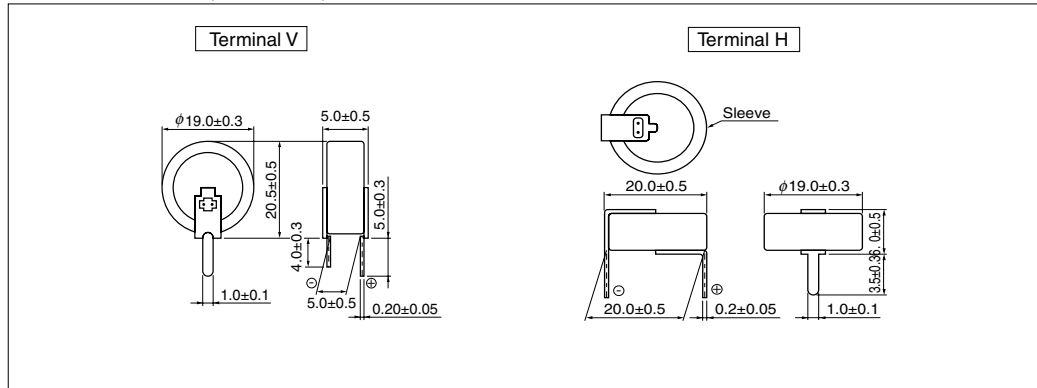


- Recommended Applications  
Memory back-up for Video, Audio, Cameras, Telephones, Printer, Data terminal, Rice cooker and Intelligent remote controller

#### Specifications

Category temp. range	-25 to +70°C	
Maximum Operating Voltage	5.5 V .DC	
Nominal Cap. Range	0.47 to 1.5 F	
Characteristics at Low Temperature	Capacitance change	±30% of initial measured value at +20°C (-25 to +70°C)
	Internal resistance	≤ 5 times of initial measured value at +20°C (at -25°C)
Endurance	After 1000 hours application of 5.5V. DC at +70°C, the capacitor shall meet the following limits.	
	Capacitance change	±30% of initial measured value
	Internal resistance	≤ 4 times of initial specified value
Shelf Life	After 1000 hours storage at +70°C without load, the capacitor shall meet the specified limits for "Endurance".	
Moisture Resistance	After 500 hours storage at +55°C, 90 to 95% R.H., the capacitor shall meet the specified limits for "Endurance".	

#### Dimensions in mm (not to scale)



#### Standard products

Maximum Operating Voltage	Capacitance (F)	Capacitance range (F)	internal resistance (Ω) at 1kHz	Part number	Min. Packaging QTY (Bulk) (PCS)
5.5	0.47	0.0376 to 1.175	≤ 30	EECS5R5( )474	100
	1.0	0.80 to 1.180	≤ 30	EECS5R5( )105	100
	1.5	1.20 to 2.70	≤ 30	EECS5R5( )155	100

( ) Please fill with V or H, which means terminal style.