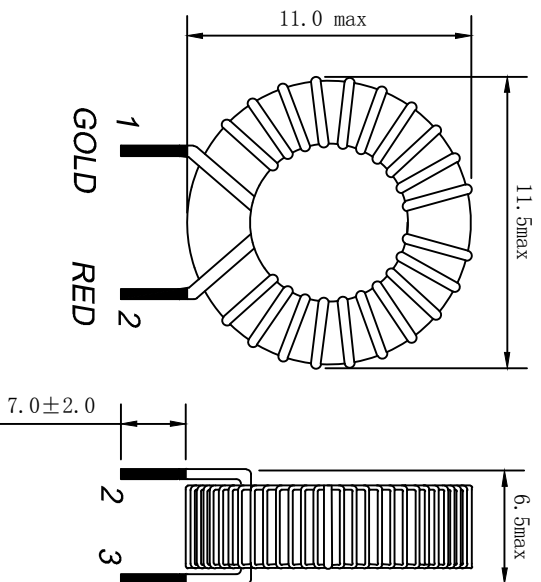


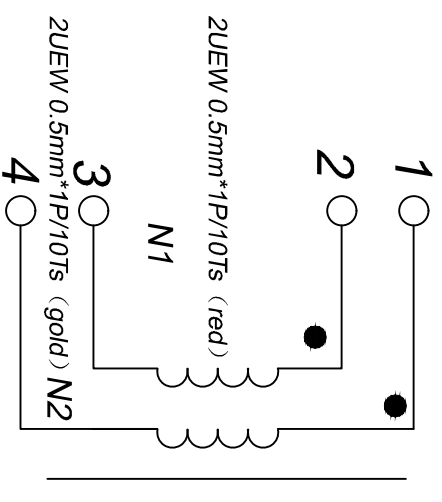
CUSTOMER TERMINAL	ROHS	Lead (Pb) -free
	YES	YES

Autodesk

1. Mechanical Dimensions



2. Schematic Diagram



3. Material List

Core: FW5K-T9*5*3

Wire: 2UEW 0.50mm 130°C

4. Electrical Specification

Inductance: $L(1-4)=L(2-3)=230\mu H \pm 30\%$ 1KHZ, 1V

REV.	DATE	 Convention Placement	DRW.			Drawing Title: CHOKE	Part No: FWCMT090503201M
0	09/25		CHK.				
		www.ferrimo.com	APP.				

THIS DOCUMENT IS STRICTLY NOT ALLOWED TO BE DUPLICATED OR REPRODUCED WITHOUT AUTHORIZATION