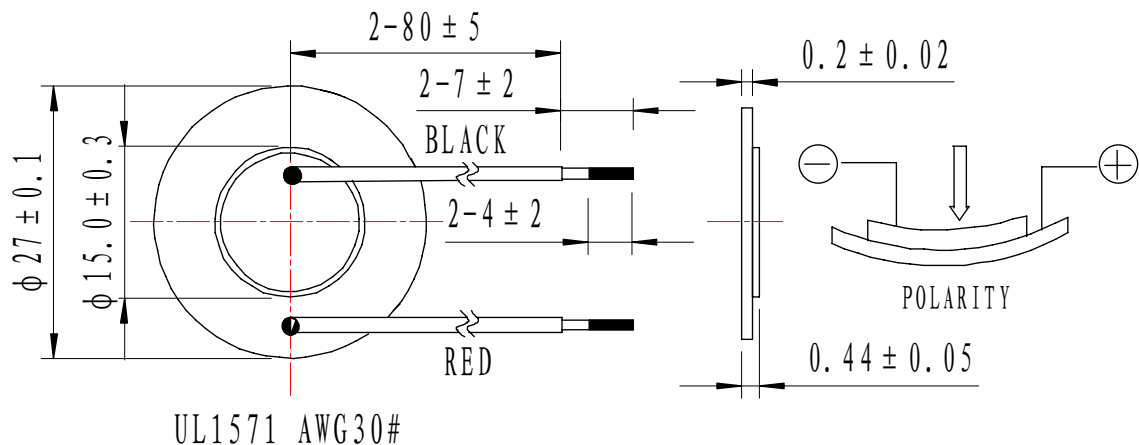


## PIEZO ELEMENT SPECIFICATIONS

MODEL: AW1E27T-31EDL3Z

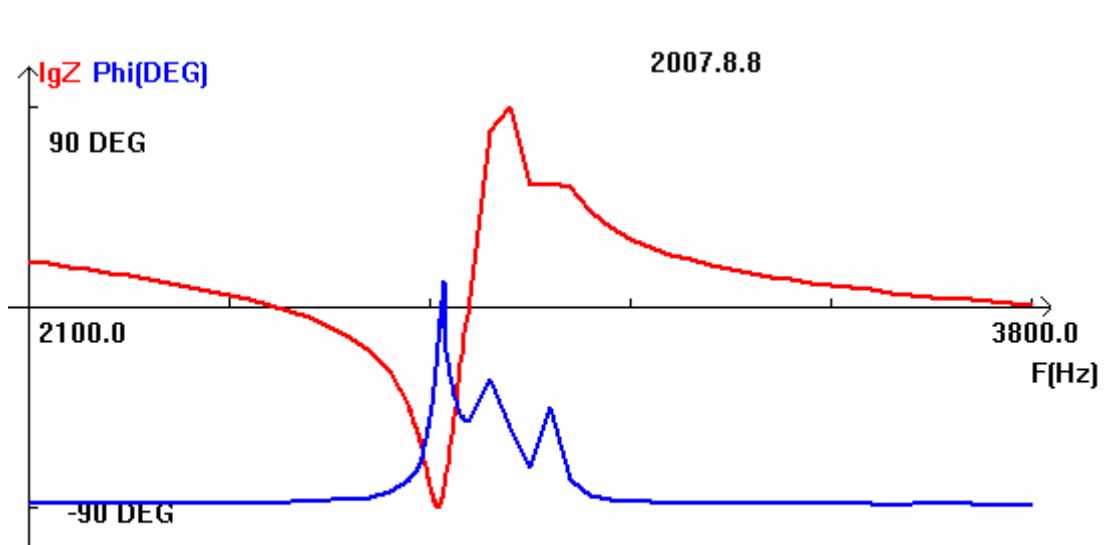
Item	Unit	Standard	(Test condition): T=25°C
Resonant frequency	kHz	3.1±1.0	PV70A (with wires)
Main electrostatic capacity	pF	15000±30%	Digital electric bridge At 1000Hz/1V (with wires)
Resonant impedance	Ω	1000 MAX.	PV70A (with wires)
Metal plate material	...	Brass	...
Metal plate diameter	mm	27.0±0.10	Vernier caliper
Metal plate thickness	mm	0.20±0.02	Micrometer
Ceramic diameter	mm	15.0±0.30	Micrometer
Total height	mm	0.44±0.05	Micrometer
Insulation resistance	MΩ	100 MIN.	Insulation resistance tester At 50V
Maximum input voltage	V <sub>p-p</sub>	30	...
Operating temperature range	°C	-20°C to +70°C	...
Storage temperature range	°C	-30°C to +80°C	...
Lead wires	...	UL1571 AWG30#	...

### APPEARANCE AND DIMENSIONS:



Remark: The Pb in ceramic is exempt, other ingredients are all ROHS compliant

## ■ TYPICAL FREQUENCY RESPONSE CURVE



## ■ MEASURING PROCEDURE

The node held with a measuring terminal, the resonant frequency and resonant impedance are measured in the constant-voltage circuit.

