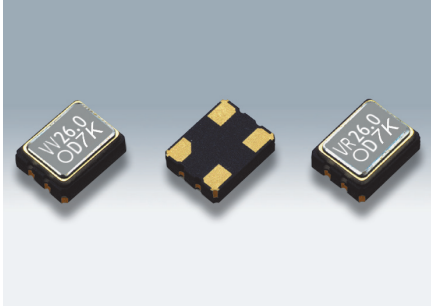


SMD Voltage Controlled Crystal Oscillators

DSV321SV/DSV321SR



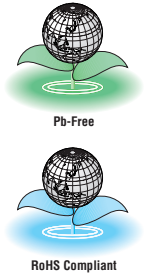
Actual size

■ Features

- 3225 size, 1.1 mm high. Ultra miniature SMD-VCXO (0.009cc)
- The product is an analog VCXO which ensures good variable frequency and a linear changing frequency.
- Low current consumption

■ Applications

- DVD, digital TV, STB, ADSL, BB modem, backbone transmission equipment

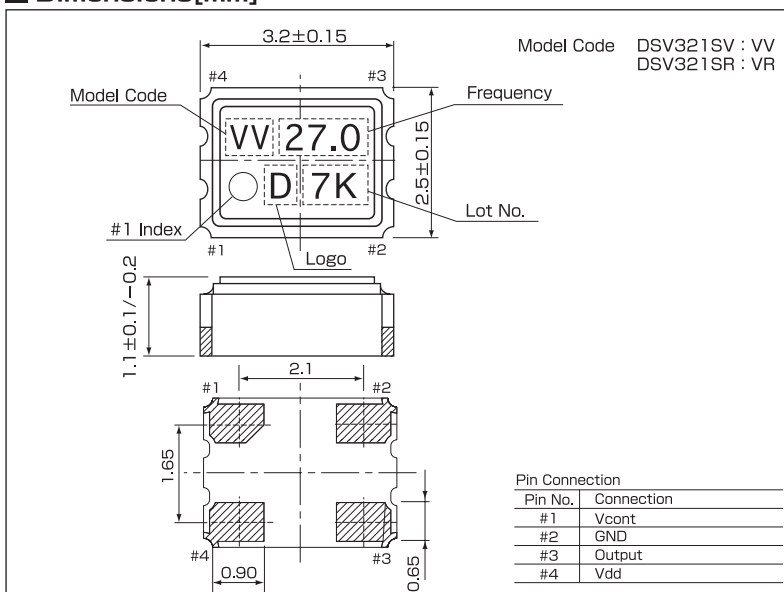


■ Standard Specification

Item	Type	Legend	DSV321SV		DSV321SR
Supply Voltage	Vdd		+2.8±0.14V	+3.3±0.3V	+1.8±0.09V
Output Frequency Range	fo		6.75~54MHz	6.75~90MHz	27MHz
Frequency Control Voltage	Vcont		+1.4±1.4V	+1.65±1.65V	+0.9±0.9V
Storage Temperature Range	T_stg		-40~+85°C		
Operating Temperature Range	T_use		-10~+70°C		-30~+85°C
Frequency Tolerance	f_tol		±50×10 ⁻⁶ max.		±40×10 ⁻⁶ max.
Frequency Adjustment Range	f_cont		±90×10 ⁻⁶ min. [Positive Slope]		
Current Consumption	Idd		3mA max. (6.75<fo≤40MHz) 5mA max. (40<fo≤54MHz) [No Load]	5mA max. (6.75<fo≤40MHz) 8mA max. (40<fo≤54MHz) 12mA max. (54<fo≤90MHz) [No Load]	2mA max. [No Load]
0 Level Output Voltage	Vol		Vdd×0.1 max.		
1 Level Output Voltage	Voh		Vdd×0.9 min.		
Symmetry	SYM		40~60% [50% Vdd Level]		
Rise and Fall Time	tr, tf		10ns max. (6.75<fo≤40MHz) 6ns max. (40<fo≤54MHz) [10~90% Vdd Level]	10ns max. (6.75<fo≤40MHz) 6ns max. (40<fo≤54MHz) 4ns max. (54<fo≤90MHz) [10~90% Vdd Level]	10ns max. [10~90% Vdd Level]
Load Condition	L_cmos		15pF		
Packing Unit			2000pcs./reel (φ180)		

Consult our sales representative for other specifications.

■ Dimensions [mm]



■ Recommended Land Pattern [mm]

