

SPECIFICATION

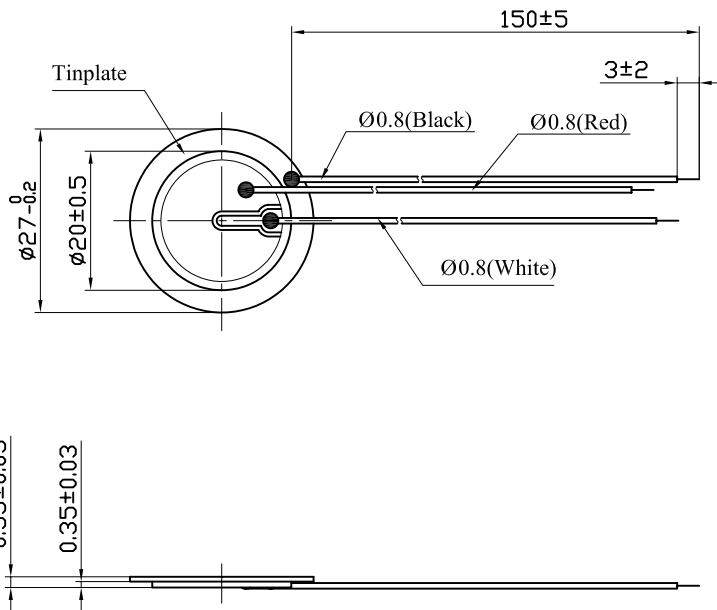
1. SCOPE

This specification is applied to the piezo-element.

2. SPECIFICATION

(at 25°C)

- | | | |
|---------------------------|---|--------------------------|
| 2.1 Resonant Frequency | : | 5.2 ± 0.5 KHz |
| 2.2 Resonant Resistance | : | 300 Ω max |
| 2.3 Capacitance | : | 20000 pF ± 30% at 100 Hz |
| 2.4 Input Voltage | : | 30 Vp-p max |
| 2.5 Operating Temperature | : | -20 ~ +50 °C |
| 2.6 Storage Temperature | : | -20 ~ +60 °C |
| 3. DIMENSION | : | as per figure |



TOLERANCES UNLESS NOTED OTHERWISE .X ± .XX ± .XXX ± 90° FORMED +2° ANGLES -1°	DRAWN		KEPO MODEL NO.	CUSTOMER			
	DESIGN		FT-27M-5.2BL	QUARTZ-1			
	CHECKED			CUSTOMER NO.			
	APPROVED		DWG NO.	VER	1.0	SCALE	
	DATE	04.10.11	OEM1295	UNIT	mm	SHEET	
	CONTRACT NO.			KEPO CO., LTD. TEL: (+86)574-88370330 FAX: (+86)574-88370329			
	AGENCY APPROVAL						
FIRST ANGLE PROJECTION 							