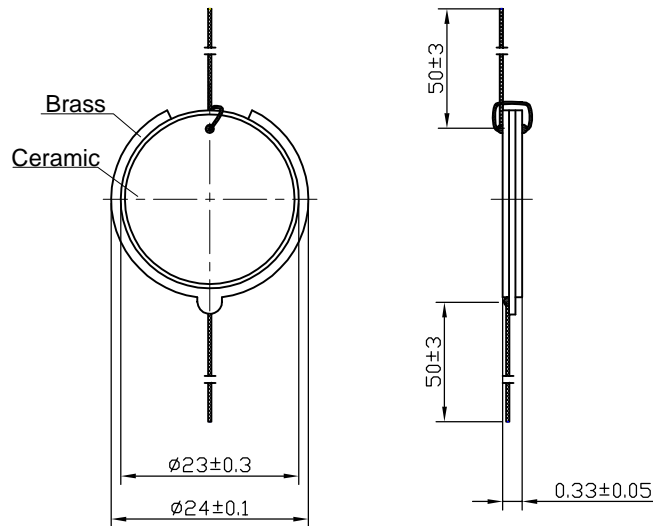


## FTBS-24TY-3.3A1— W50 PIEZOCERAMIC DISC

Type		FTBS-24TY-3.3A1-W50
Resonant Frequency	(KHz)	3.3±0.5
Resonant Impedance	(Ω)	≤ 150
Capacitance at 100Hz	(nF)	110±30%
Input Voltage	(Vp-p)	Max.30
Operating Temperature	(°C)	-20~60
Storage Temperature	(°C)	-20~70
Pull test (vertical)	(N)	>2.5
Pull test (horizontal)	(N)	>8



**WEILILAI EADC**

FTBS-24TY-3.3A1-W50

031011.03

NAME DATE

REVISIONS

Designed by

REV.

Description

Checked by

A

1998.06.19

Approved by

B

2003.10.11

Page:1/1