

规格书编号

SPEC NO :

产品规格书

SPECIFICATION

CUSTOMER 客户: _____

PRODUCT 产品: _____ SAW FILTER _____

MODEL NO 型号: _____ HDAF38A1Dc _____

PREPARED 编制: _____ CHECKED 审核: _____

APPROVED 批准: _____ D A T E 日期: _____ 2014-10-9 _____

客户确认 CUSTOMER RECEIVED:		
审核 CHECKED	批准 APPROVED	日期 DATE

无锡市好达电子有限公司
Shoulder Electronics Limited

1.SCOPE

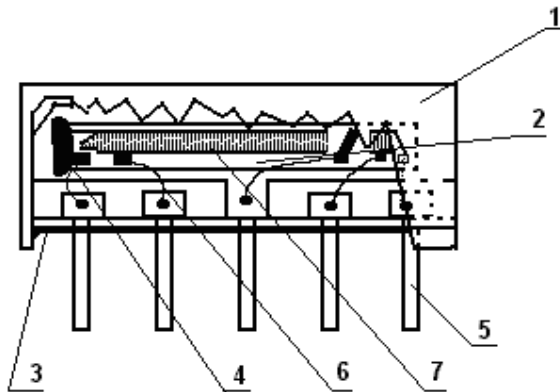
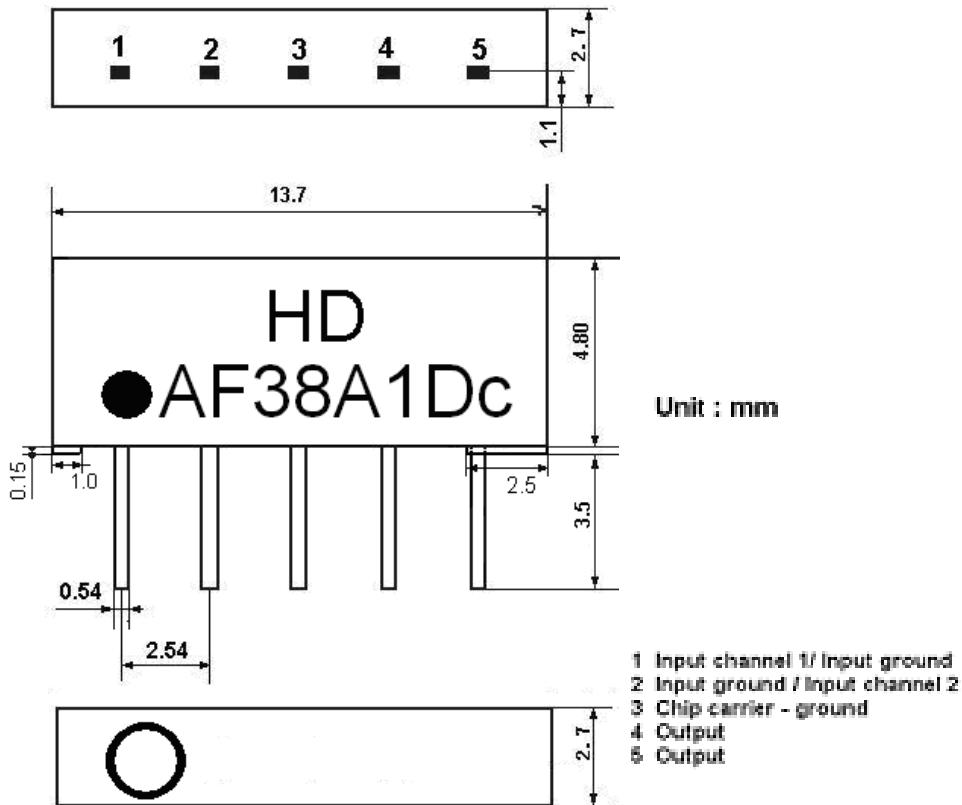
SHOULDER’s SAW filter series have broad line up products meeting all broadcast standard including NTSC,PAL and SECAM systems. These filters are composed of two interdigital transducers on a single-crystal, piezoelectrical chip. they are used in electronic equipments such as TV and so on.

2.Construction

2.1 Dimension and materials

Manufacturer’s name :SHOULDER ELECTRONICS LIMITED

Type : AF38A1Dc



Components	Materials
1.Outer casing	PPS
2.Substrate	Lithium niobate
3.Base	Epoxy resin
4.Absorber	Epoxy resin
5.Lead	Cu alloy+ Ni plate+ Sn enameled
6.Bonding wire	AlSi alloy
7.Electrode	Al

3.1 Maximum Rating

DC voltage	VDC	12	V	Between any terminals
AC voltage	Vpp	10	V	Between any terminals

3.2 Electrical Characteristics
Characteristics of channel 1

Source impedance

$Z_S=50\ \Omega$

Load impedance

$Z_L=2k\ \Omega // 3pF$

$T_A=25^\circ C$

Item	Freq	min	typ	max	
Insertion attenuation Reference level	32.50MHz	11.6	14.6	17.6	dB
	31.45MHz	-2.3	-0.8	0.7	dB
Relative attenuation	31.50MHz	-2.3	-0.8	0.7	dB
	32.00MHz	-1.7	-0.2	1.3	dB
	38.00MHz	40.0	50.0	-	dB
	33.57MHz	22.0	42.0	-	dB
	30.00MHz	29.0	52.0	-	dB
	39.50MHz	40.0	50.0	-	dB
Sidelobe	25.00~30.00MHz	30.0	42.0	-	dB
	38.00~45.00MHz	35.0	42.0	-	dB
Temperature coefficient		-72			ppm/k

Characteristics of channel 2

Source impedance

$Z_S=50\ \Omega$

Load impedance

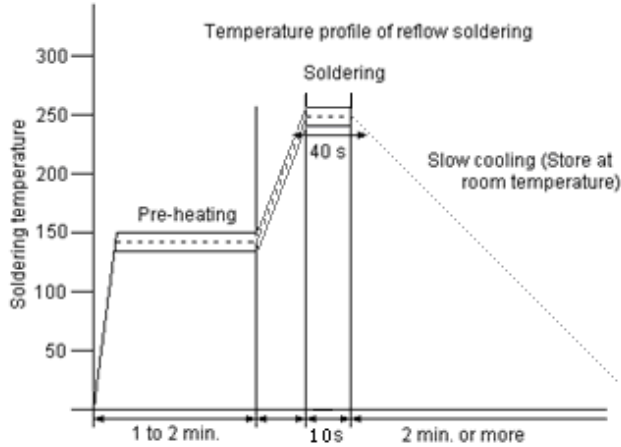
$Z_L=2k\ \Omega // 3pF$

$T_A=25^\circ C$

Item	Freq	min	typ	max	
Insertion attenuation Reference level	33.50MHz	11.6	14.6	17.6	dB
	38.00MHz	40.0	52.0	-	dB
Relative attenuation	34.42MHz	20.0	38.0	-	dB
	32.00MHz	20.0	45.0	-	dB
	39.50MHz	40.0	50.0	-	dB
	25.00~32.00MHz	20.0	32.0	-	dB
Sidelobe	38.00~45.00MHz	35.0	42.0	-	dB
Temperature coefficient		-72			ppm/k

3.3 Environmental Performance Characteristics

Item	Condition	Specifications
High temperature	The specimen shall be store at a temperature of $80\pm 2^\circ C$ for $96\pm 4h$. Then it shall be subjected to standard atmospheric conditions for 1h, after	

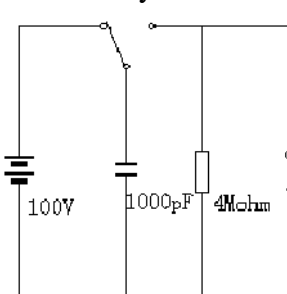
	which measurement shall be made within 1h.	Mechanical characteristics and specifications in electrical characteristics shall be satisfied. There shall be no excessive change in appearance.																				
Low temperature	The specimen shall be store at a temperature of $-20\pm 3^{\circ}\text{C}$ for $96\pm 4\text{h}$. Then it shall be subjected to standard atmospheric conditions for 1h, after which measurement shall be made within 1h.																					
Humidity	The specimen shall be store at a temperature of $40\pm 2^{\circ}\text{C}$ with relative humidity of 90% to 96% for $96\pm 4\text{h}$. Then it shall be subjected to standard atmospheric conditions for 1h, after which measurement shall be made within 1h.																					
Thermal shock	The specimen shall be subjected to 8 continuous cycles each as shown below. Then it shall be subjected to standard atmospheric conditions for 1h, after which measurement shall be made within 1h.																					
	<table border="1"> <thead> <tr> <th></th> <th>Temperature</th> <th>Duration</th> </tr> </thead> <tbody> <tr> <td>1</td> <td>$+25^{\circ}\text{C} \Rightarrow -40^{\circ}\text{C}$</td> <td>0.5h</td> </tr> <tr> <td>2</td> <td>-40°C</td> <td>4h</td> </tr> <tr> <td>3</td> <td>$-40^{\circ}\text{C} \Rightarrow +85^{\circ}\text{C}$</td> <td>2h</td> </tr> <tr> <td>4</td> <td>$+85^{\circ}\text{C}$</td> <td>4h</td> </tr> <tr> <td>5</td> <td>$+85^{\circ}\text{C} \Rightarrow +25^{\circ}\text{C}$</td> <td>0.5h</td> </tr> <tr> <td>6</td> <td>$+25^{\circ}\text{C}$</td> <td>1h</td> </tr> </tbody> </table>			Temperature	Duration	1	$+25^{\circ}\text{C} \Rightarrow -40^{\circ}\text{C}$	0.5h	2	-40°C	4h	3	$-40^{\circ}\text{C} \Rightarrow +85^{\circ}\text{C}$	2h	4	$+85^{\circ}\text{C}$	4h	5	$+85^{\circ}\text{C} \Rightarrow +25^{\circ}\text{C}$	0.5h	6	$+25^{\circ}\text{C}$
	Temperature	Duration																				
1	$+25^{\circ}\text{C} \Rightarrow -40^{\circ}\text{C}$	0.5h																				
2	-40°C	4h																				
3	$-40^{\circ}\text{C} \Rightarrow +85^{\circ}\text{C}$	2h																				
4	$+85^{\circ}\text{C}$	4h																				
5	$+85^{\circ}\text{C} \Rightarrow +25^{\circ}\text{C}$	0.5h																				
6	$+25^{\circ}\text{C}$	1h																				
Resistance to Soldering heat	<p>Reflow soldering method Peak: $255 \pm 5^{\circ}\text{C}$, $220 \pm 5^{\circ}\text{C}$, 40s At electrode temperature of the specimen.</p>  <p>The specimen shall be passed through the reflow furnace with the condition shown in the above profile for 1 time. The specimen shall be stored at standard atmospheric conditions for 1h, after which the</p>																					

	measurement shall be made. Test board shall be 1.6 mm thick. Base material shall be glass fabric base epoxy resin.	
Solder ability	Immerse the pins melt solder at 260 °C +5/-0 °C for 5 sec.	More then 95% of total area of the pins should be covered with solder

3.4Mechanical Test

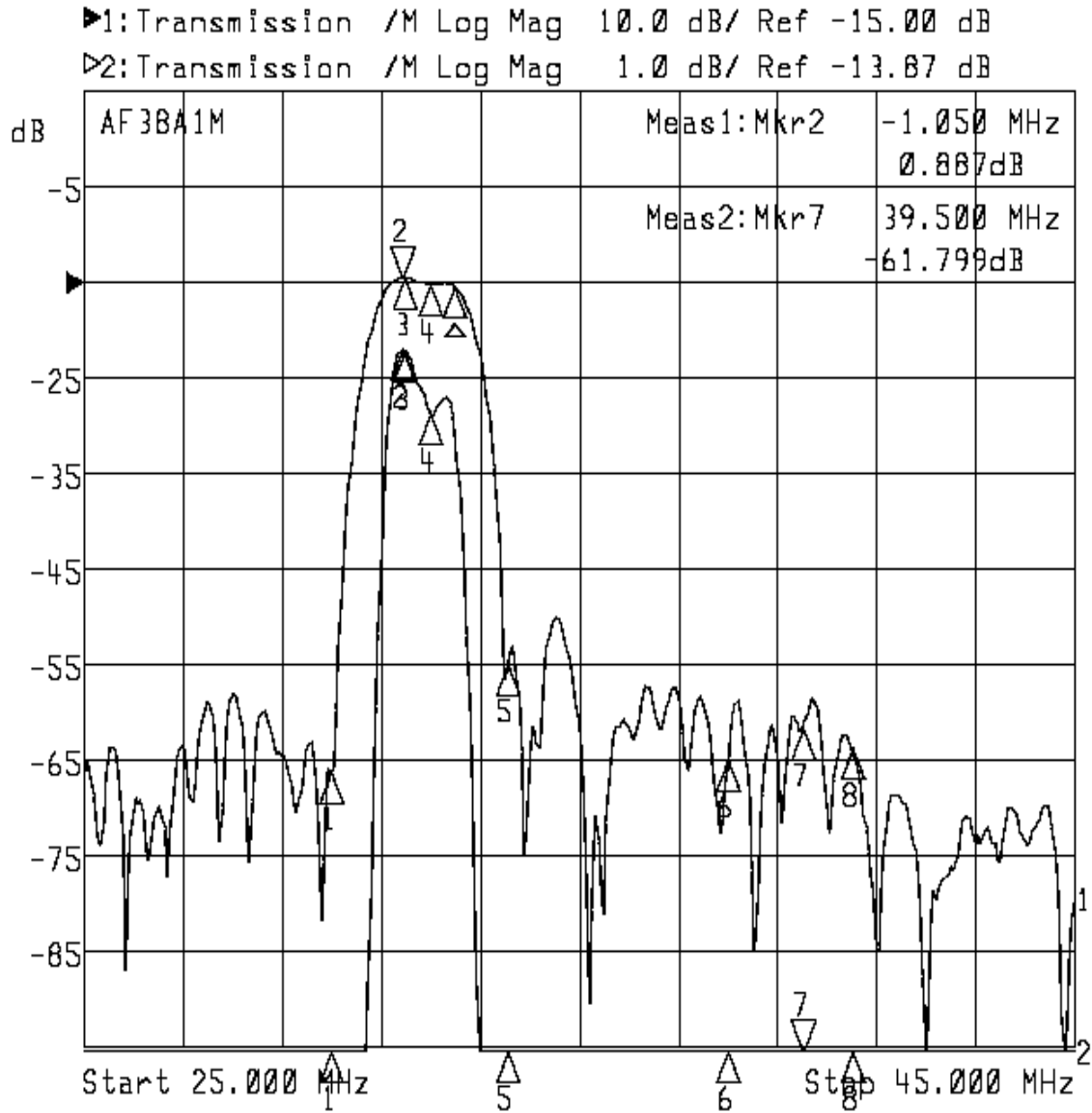
Items	Conditions	Specifications
Vibration	600-3300rpm amplitude 1.5mm 3 directions 2 H each	There shall be no damage.
Drop	On maple plate from 1m high 3 times	
Lead pull	Pull with 1kg force for 30 seconds	
Lead bend	90° bending with 500g weigh 2 times	

3.5Voltage Discharge Test

Item	Condition	Specifications
Surge	Between any two electrode 	There shall be no damage

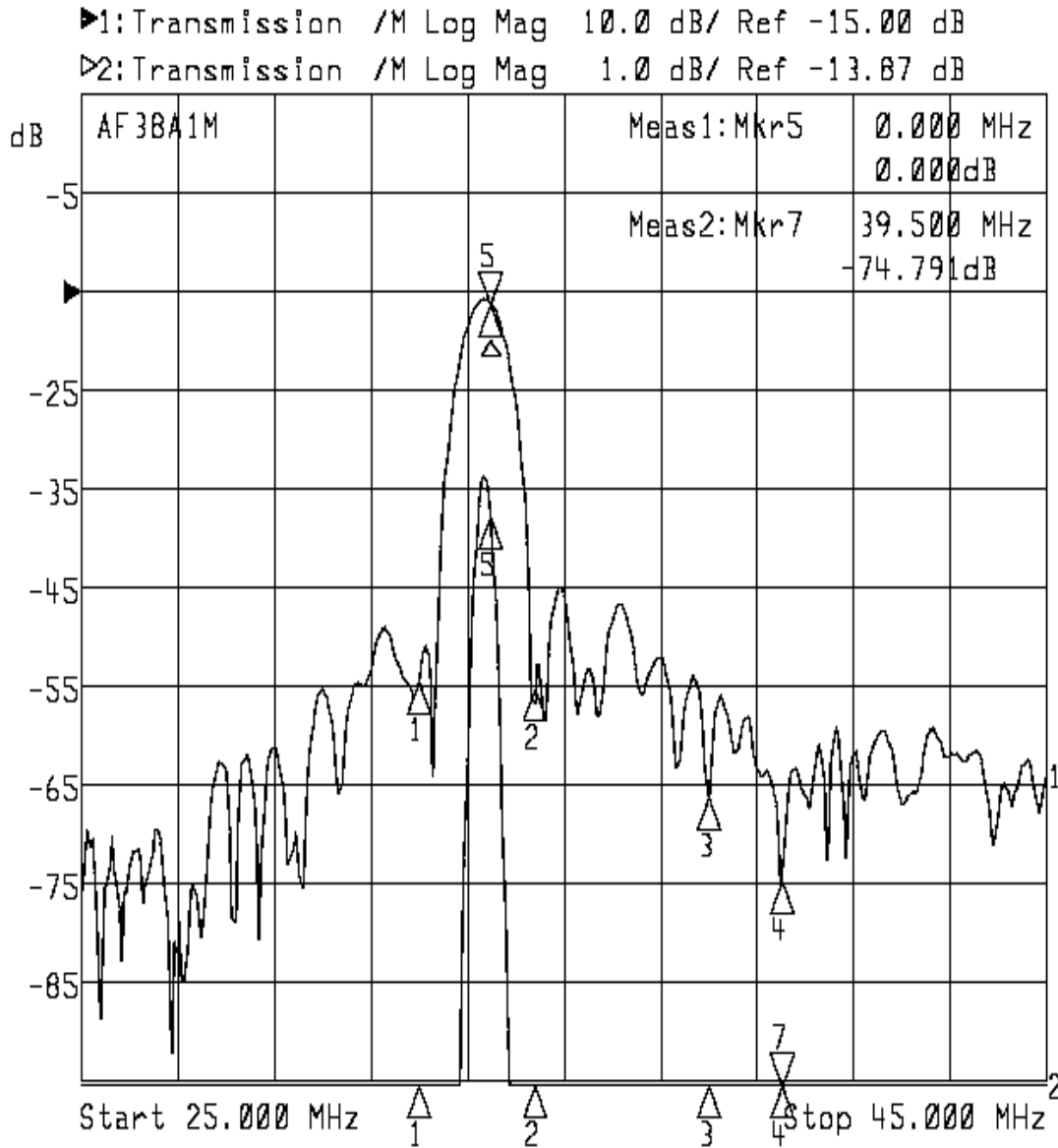
3.6 Frequency response

Frequency response of channel 1:



1: Mkr (MHz)	dB	2: Mkr (MHz)	dB
1: -2.5000	-50.849	1: 30.0000	-66.303
2> -1.0500	0.887	2: 31.4500	-14.576
3: -1.0000	0.850	3: 31.5000	-14.587
4: -0.5000	0.204	4: 32.0000	-15.243
5: 1.0700	-39.509	5: 33.5700	-54.936
6: 5.5000	-49.552	6: 38.0000	-64.972
7: 7.0000	-46.355	7> 39.5000	-61.799
8: 8.0000	-48.227	8: 40.5000	-63.688

Frequency response of channel 2:



1: Mkr Δ(MHz)	dB	2: Mkr (MHz)	dB
1: -1.5000	-38.294	1: 32.0000	-54.435
2: 0.9200	-39.076	2: 34.4200	-55.216
3: 4.5000	-50.114	3: 38.0000	-66.230
4: 6.0000	-58.673	4: 39.5000	-74.791
5: 0.0000	0.000	5: 33.5000	-16.136
		7: 39.5000	-74.791