

SHOULDER

SHOULDER ELECTRONICS LIMITED

SPECIFICATION FOR APPROVAL

NO 编号: 200700260

CUSTOMER 客 户: _____

PRODUCT 产 品: CRYSTAL RESONATOR

MODEL NO 型 号: HDBF389A1D2a

PREPARED 编 制: Fengyu CHECKED 审 核: York

APPROVED 批 准: Lijiating D A T E 日 期: 2007-03-13

CUSTOMER 客户确认意见:

CHECKED 审 核:

APPROVED 批 准:

D A T E 日 期:

公司地址: 广东深圳市福田区车公庙泰然工业区 303 栋 5 楼西座
West 5/F, 303 Bldg., Che Gong Miao, Industry Park, Futian
Dist., Shenzhen, Guangdong, China.

Tel: 86-755-82916880 Fax: 86-755-82916881

工厂地址: 江苏无锡市滨湖经济技术开发区高运路 115 号

No. 115, Gaoyun road, Binhu Economic&Technology Development
Area, Wuxi, Jiangsu, China

Tel: 86-510-5629111 Fax: 86-510-5627222

[Website: www.shoulder.cn](http://www.shoulder.cn)

1.SCOPE

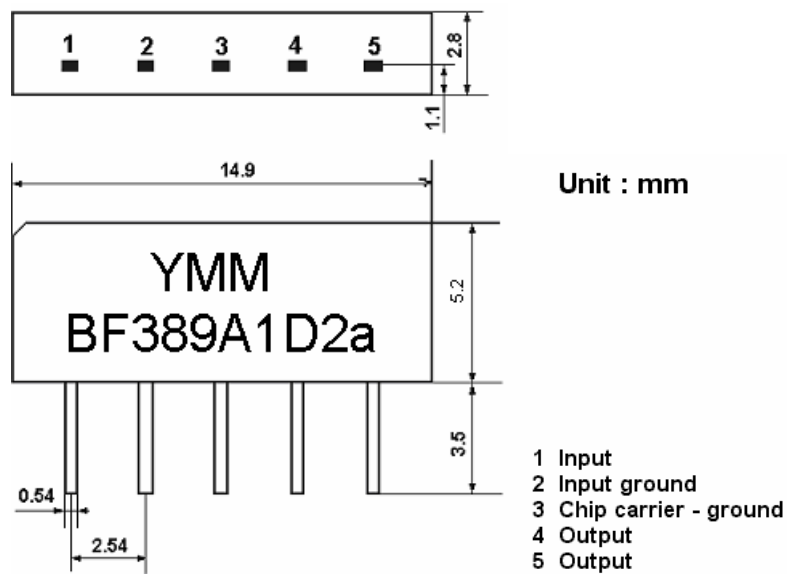
SHOULDER's SAW filter series have broad line up products meeting all broadcast standard including NTSC,PAL and SECAM systems. These filters are composed of two interdigital transducers on a single-crystal, piezoelectrical chip. they are used in electronic equipments such as TV and so on.

2.Construction

2.1 Dimension and materials

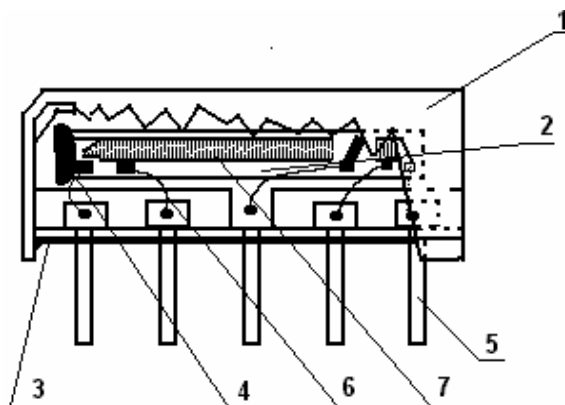
Manufacturer's name : SHOULDER ELECTRONICS Co. LTD(CHINA)

Type : BF389A1D2a



Y: year

MM: month



Components	Materials
1.Outer casing	PPS
2.Substrate	Lithium tantalate
3.Base	Epoxy resin
4.Absorber	Epoxy resin
5.Lead	Cu alloy+Au plate
6.Bonding wire	AlSi alloy
7.Electrode	Al

3.2 Electrical Characteristics

Source impedance

$Z_S=50 \Omega$

Load impedance

$Z_L=2k \Omega //3pF$

$T_A=25^\circ C$

Item	Freq	min	typ	max	
Center frequency (center between 10dB point)	Fo	38.874	38.912	38.950	MHz
Insertion attenuation Reference level	38.922MHz	17.2	18.7	20.2	dB
Pass bandwidth	B3dB	-	1.5	-	MHz
	B30dB	-	2.7	-	MHz
Sidelobe	30.01~36.27MHz	43.0	50.0		dB
	36.27~37.31MHz	38.0	41.0		dB
	40.61~41.41MHz	38.0	44.0		dB
	41.41~50.01MHz	42.0	47.0		dB
Reflected wave signal suppression 1,6 μs ... 6,0 μs after main pulse (test pulse 250 ns, carrier frequency 38,922 MHz)		42	52	-	dB
Group delay ripple (p-p) 38,12 ... 39,72 (38,11 ... 39,71) MHz		-	35	-	ns
Impedance at 38,922 MHz Input: $Z_{IN} = R_{IN} \parallel C_{IN}$ Output: $Z_{OUT} = R_{OUT} \parallel C_{OUT}$		-	1.0 25.3 0.9 15.0	-	k Ω pF k Ω pF
Temperature coefficient		-18			ppm/k

3.3 Environmental Performance Characteristics

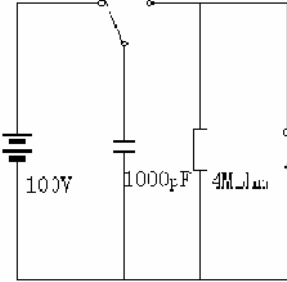
Item	Condition	Specifications									
High temperature	The specimen shall be store at a temperature of $80\pm 2^\circ C$ for $96\pm 4h$. Then it shall be subjected to standard atmospheric conditions for 1h, after which measurement shall be made within 1h.	Mechanical characteristics and specifications in electrical characteristics shall be satisfied. There shall be no excessive change in appearance.									
Low temperature	The specimen shall be store at a temperature of $-20\pm 3^\circ C$ for $96\pm 4h$. Then it shall be subjected to standard atmospheric conditions for 1h, after which measurement shall be made within 1h.										
Humidity	The specimen shall be store at a temperature of $40\pm 2^\circ C$ with relative humidity of 90% to 96% for $96\pm 4h$. Then it shall be subjected to standard atmospheric conditions for 1h, after which measurement shall be made within 1h.										
Thermal shock	The specimen shall be subjected to 8 continuous cycles each as shown below. Then it shall be subjected to standard atmospheric conditions for 1h, after which measurement shall be made within 1h.										
	<table border="1"> <thead> <tr> <th></th> <th>Temperature</th> <th>Duration</th> </tr> </thead> <tbody> <tr> <td>1</td> <td>$+25^\circ C \Rightarrow -40^\circ C$</td> <td>0.5h</td> </tr> <tr> <td>2</td> <td>$-40^\circ C$</td> <td>4h</td> </tr> </tbody> </table>		Temperature	Duration	1	$+25^\circ C \Rightarrow -40^\circ C$	0.5h	2	$-40^\circ C$	4h	
	Temperature	Duration									
1	$+25^\circ C \Rightarrow -40^\circ C$	0.5h									
2	$-40^\circ C$	4h									

	3	-40 °C=>+85 °C	2h	
	4	+85 °C	4h	
	5	+85 °C=>+25 °C	0.5h	
	6	+25 °C	1h	
Resistance to Soldering heat	<p>Reflow soldering method Peak: 255 ±5 °C, 220 ±5 °C, 40s At electrode temperature of the specimen.</p> <p>The specimen shall be passed through the reflow furnace with the condition shown in the above profile for 1 time. The specimen shall be stored at standard atmospheric conditions for 1h, after which the measurement shall be made. Test board shall be 1.6 mm thick. Base material shall be glass fabric base epoxy resin.</p>			
Solder ability	Immerse the pins melt solder at 260°C+5/-0°C for 5 sec.		More then 95% of total area of the pins should be covered with solder	

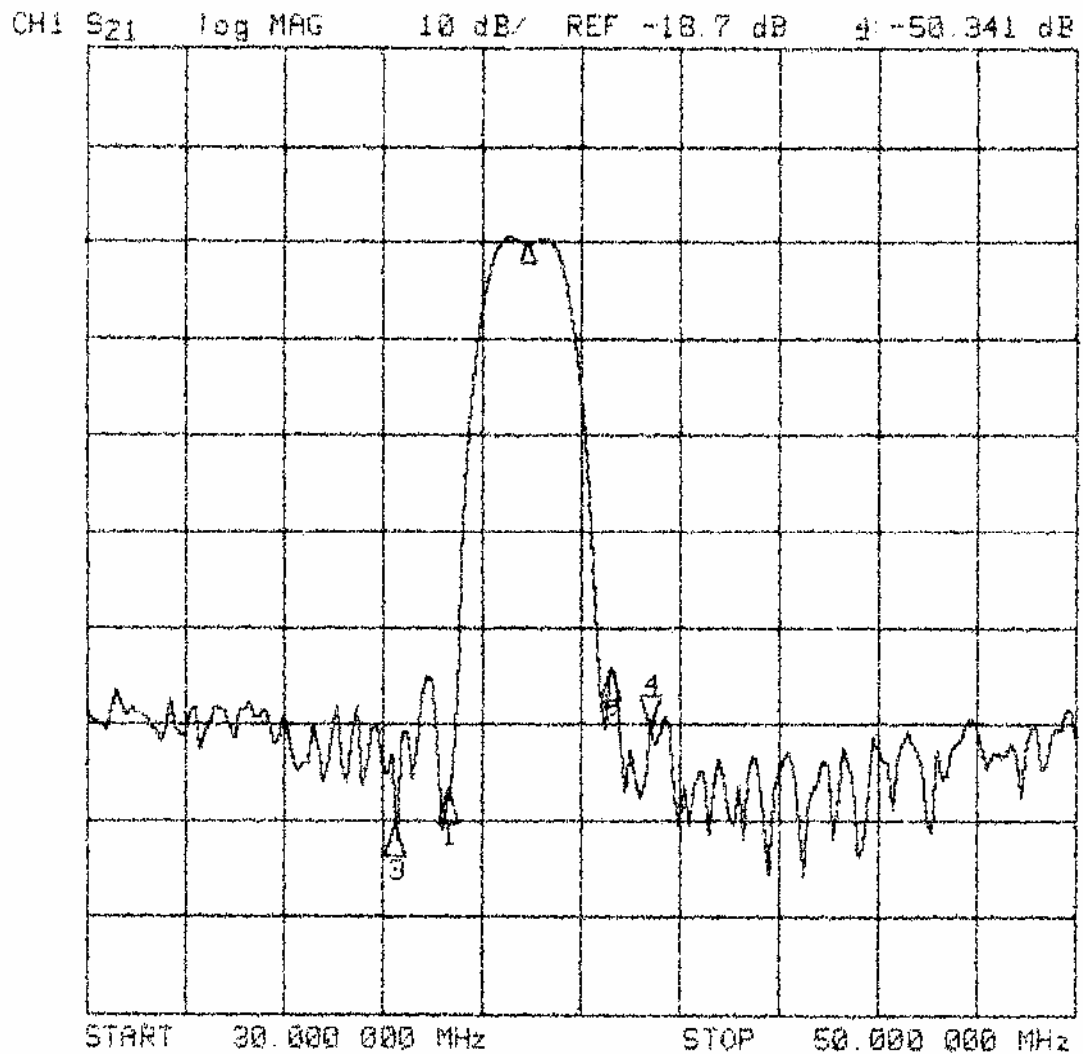
3.4 Mechanical Test

Items	Conditions	Specifications
Vibration	600-3300rpm amplitude 1.5mm 3 directions 2 H each	There shall be no damage.
Drop	On maple plate from 1 m high 3 times	
Lead pull	Pull with 1 kg force for 30 seconds	
Lead bend	90° bending with 500g weigh 2 times	

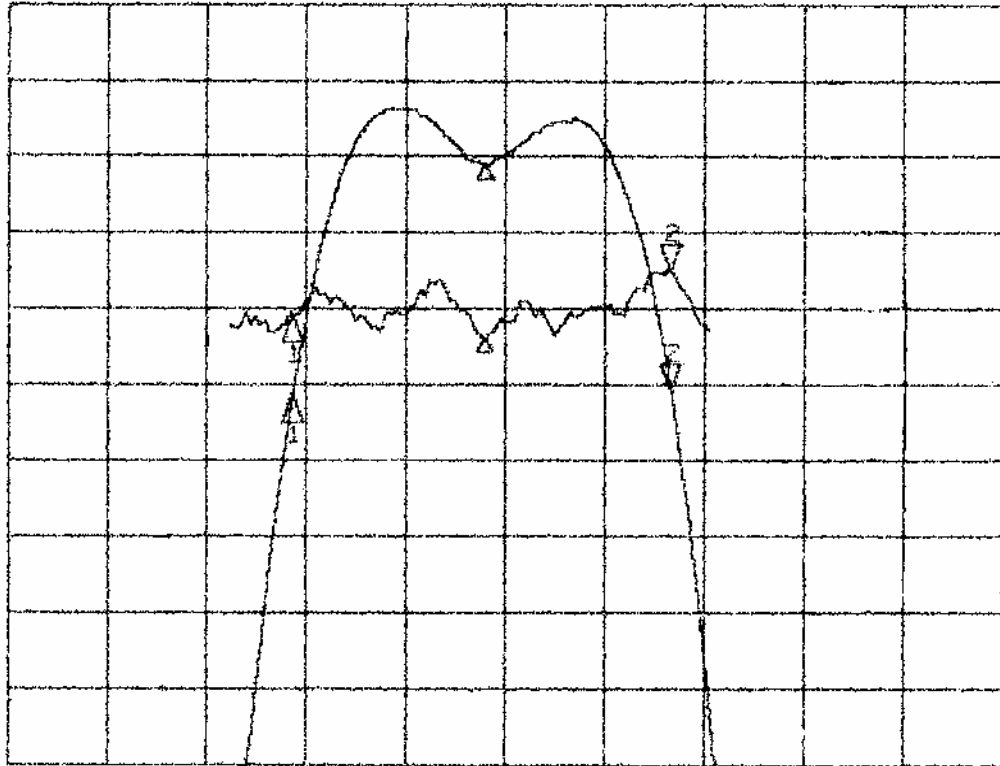
3.5 Voltage Discharge Test

Item	Condition	Specifications
Surge	Between any two electrode 	There shall be no damage

3.6 Frequency response

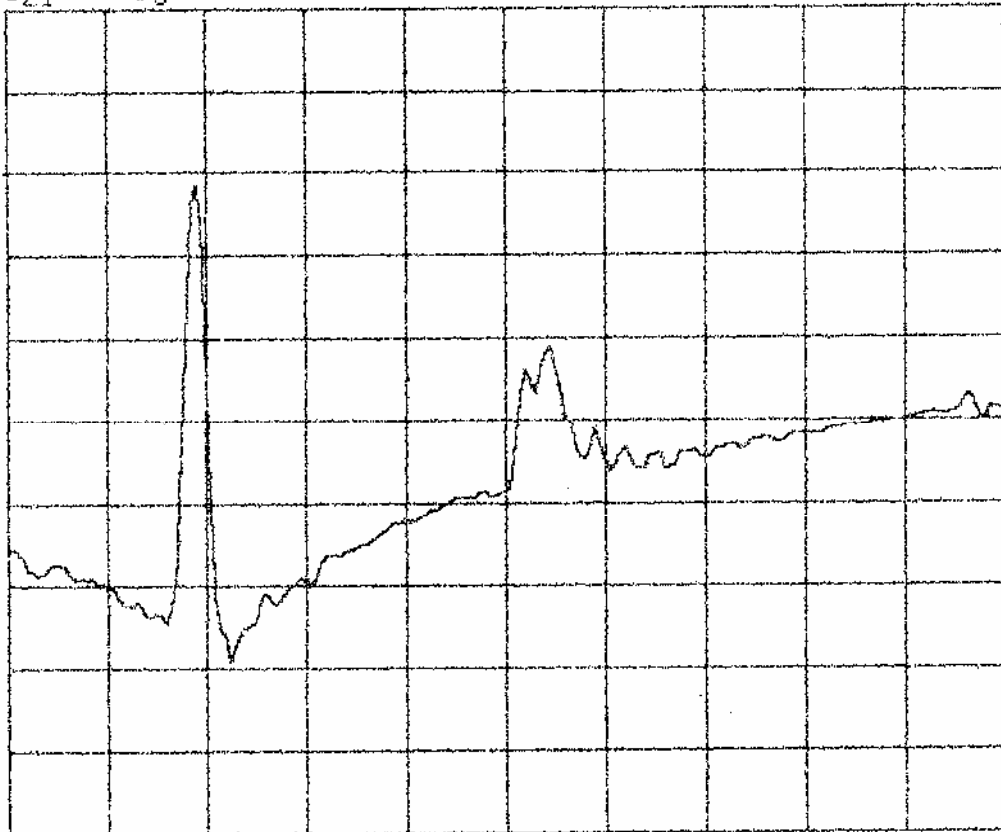


CH1 S21 delay 50 ns/ REF 1.537 ps 2: 44.183 ns
CH2 S21 log MAG 1 dB/ REF -18.7 dB 2 -2.9784 dB



START 37.000 000 MHz STOP 41.000 000 MHz

CH1 S21 log MAG 10 dB/ REF -18.7 dB



START 20 000 000 MHz STOP 120.000 000 MHz