

Shoulder 好达

SHOULDER ELECTRONICS CO., LTD.

SAW Components Data Sheet

PRODUCT 产品: SAW FILTER

MODEL NO 型号: HDF110T F16

PREPARED 编制:

CHECKED 审核:

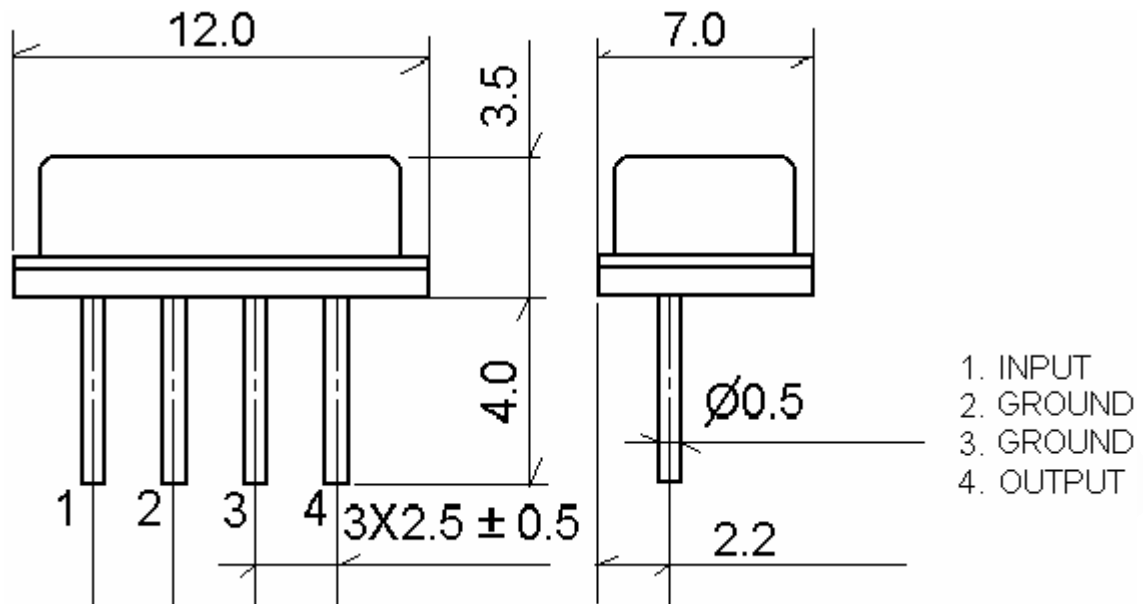
APPROVED 批准:

DATE 日期: 2007-01-25

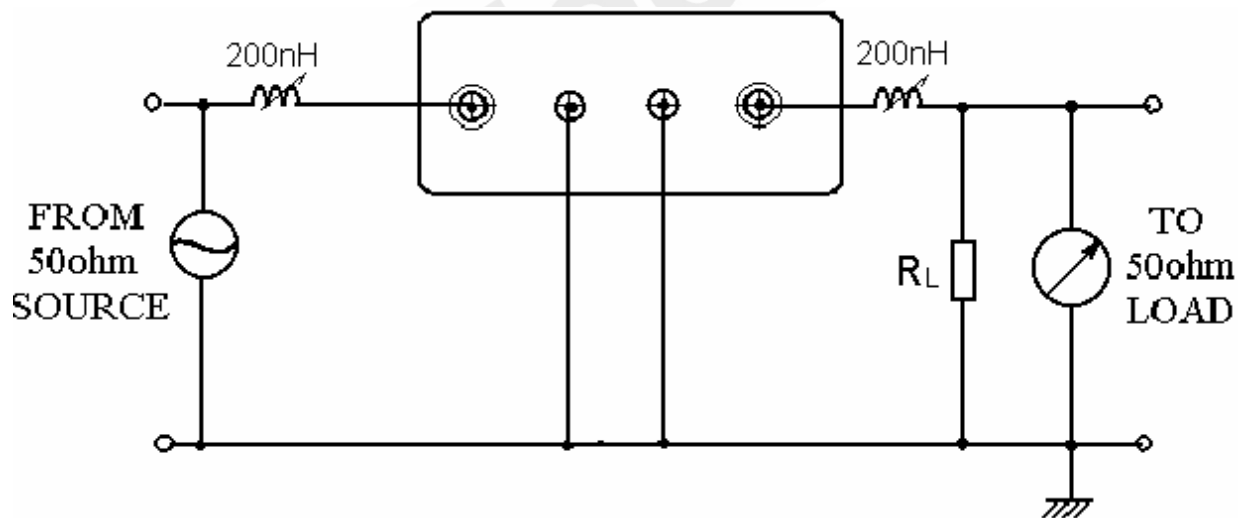
1.SCOPE

This specification shall cover the characteristics of SAW filter F110T

2. DIMENSION



3. TEST CIRCUIT



4. Electrical characteristics

Item		Typ. value	Tolerance/Limit
Insertion Loss(reference level)	$A_e = a_{min}$	11.9 dB	14.0 dB
Reference frequency	$F_c(30dB-BW)$	110.592 MHz	± 60 kHz
Pass band shape(3 dB-BW)			Gaussian
3 dB bandwidth	BW	965 kHz	-
30 dB bandwidth		2600 kHz	
40 dB bandwidth		2840 kHz	
Relative attenuation	A_{rel}		
$F_c + 475kHz$			$\leq 3dB$
$F_c - 425kHz$			$\leq 3dB$
$F_c + 1375kHz$			$\geq 30dB$
$F_c - 1395kHz$			$\geq 30dB$
$F_c + 1.5MHz - f_c + 10MHz$		$\geq 45dB$	$\geq 40dB$
$F_c - 1.355MHz - f_c - 10MHz$		$\geq 45dB$	$\geq 40dB$
Group delay $f_c \pm 800kHz$	GD	150 ns	300 ns max
Temperature coefficient Tc 1st order		+1.7 ppm/K	
Tc 2st order		-0.06 ppm/K	
Drive /Load impedance		$800 \Omega \parallel -5.6pF$	

5. Typical frequency response

