

# SPECIFICATION

Customer : 创维移动

Applied To :

Product Name : Receiver

Model Name : KP1024R1-U109B

Drawing No. : KFC2875

Signature of Approval

--

Signature of KEPO

Approved by	Checked by	Issued by	Date



Ningbo KePO Electronics Co.,Ltd.

Address: No.25 Baoyuan Road Dongqian Lake Industrial Area  
Dongqian Lake, Ningbo315121, China

Tel: +86(574)88371186, 88370330 Fax: +86(574)88370329  
<http://www.chinaacoustic.com> E-mail: [Sales@kepo.com.cn](mailto:Sales@kepo.com.cn)

Specification for Receiver	Page	2/9
Model No. : KP1024R1-U109B	Revision No.	1.1
	Drawing No.	KFC2875

## CONTENTS

1. Scope
2. General
3. Electrical and Acoustic Characteristics.
4. Reliability Test
5. Measurement Block Diagram & Response curve
6. Structure
7. Dimensions
8. Packing
9. Revision

Specification for Receiver		Page	3/9
Model No. :                      KP1024R1-U109B		Revision No.	1.1
		Drawing No.	KFC2875

## 1. Scope

This specification is applied to the dynamic receiver which is used all of the electrical acoustic product.

- compact, rich sound
- applications: mobile phone, PDA, notebook computer, etc. ..

## 2. General

- 2.1 Out-Diameter : Ø 10 mm
- 2.2 Height : 2.4 mm
- 2.3 Weight : 0.5 gr.
- 2.4 Operating Temperature range:  
-20~+70℃ without loss of function
- 2.5 Store Temperature range:  
-40~+85℃ without loss of function

## 3. Electrical and Acoustic Characteristics.

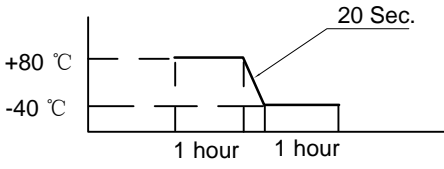
Test condition : 15 ~ 35 ℃ , 25% ~ 85% RH, 860~1060 mbar

	Items	Specification
1	Impedance	32 Ω ± 15%(at 1Vrms,1.5kHz)
2	Sound Pressure Level	112dB ± 3dB( 1kHz/100mV)
3	Frequency Range	300 ~ 3400 Hz
4	Input Power	Rated 10mW / Max. 30mW
5	Distortion	<10% Max. at 2kHz/0.56Vrms
6	Buzz and Rattle	Should not be audible buzzes,rattles when the 0.56V sine wave signal swept at frequency range.

Specification for Receiver		Page	4/9
		Revision No.	1.1
Model No. :	KP1024R1-U109B	Drawing No.	KFC2875

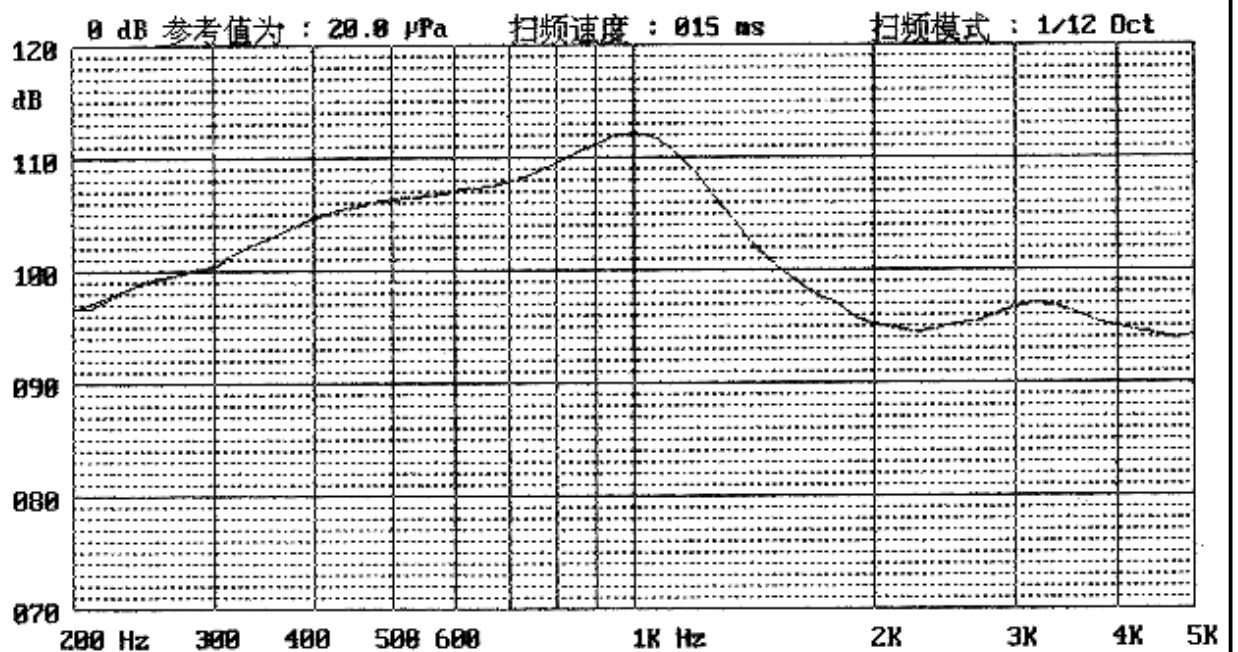
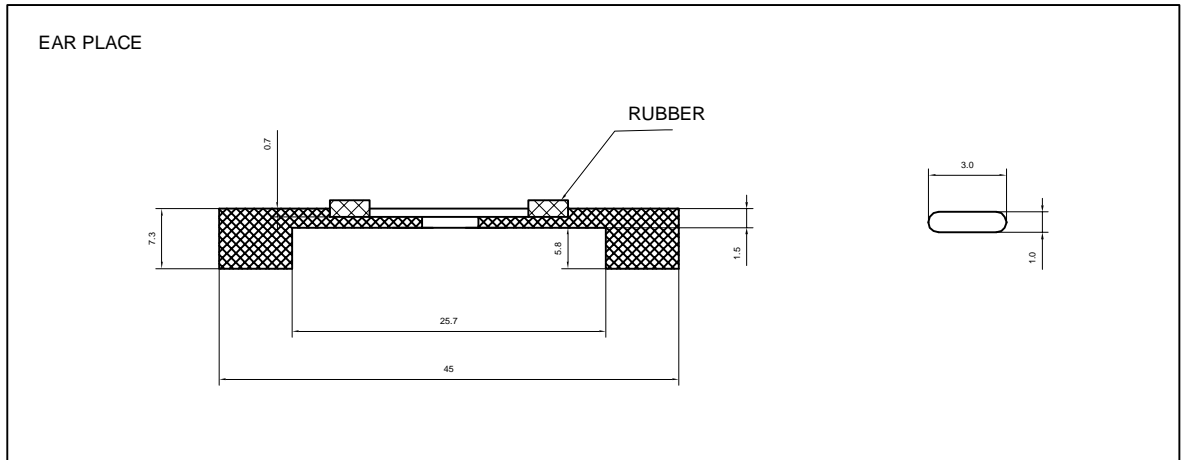
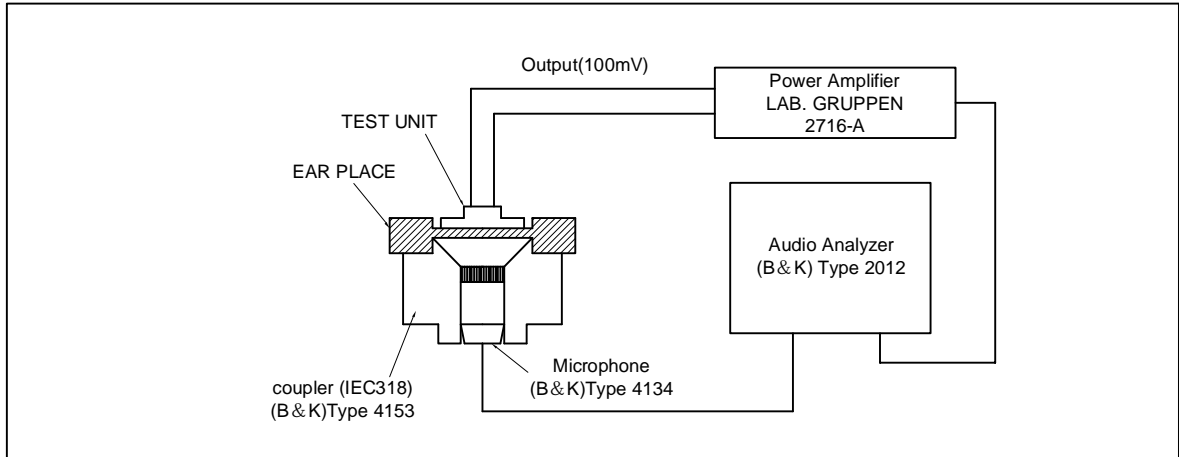
## 4. Reliability Test

After test(1~7item), the receiver S.P.L . difference shall be within  $\pm 3\text{dB}$ , and the appearance not exist any change to be harmful to normal operation(e.g. cracks,rusts,damages and especially distortion).

	Item	Specification
1	High Temperature Test	After being placed in a chamber with $+85\pm 3\text{ }^\circ\text{C}$ for 96 hours and then being placed in natural condition for 1 hour, receiver shall be measured.
2	Low Temperature Test	After being placed in a chamber with $-40\pm 3\text{ }^\circ\text{C}$ for 96 hours and then being placed in natural condition for 1 hour, receiver shall be measured.
3	Humidity Test	After being placed in a chamber with 85 to 90%R.H. at $+40\pm 2\text{ }^\circ\text{C}$ for 96 hours and then being placed in natural condition for 1 hour, receiver shall be measured.
4	Thermal Shock Test	<p>After being placed in a chamber at <math>+80\text{ }^\circ\text{C}</math> for 1 hour, then receiver shall be placed in a chamber at <math>-40\text{ }^\circ\text{C}</math> for 1 hour(1 cycle is the below diagram).</p> <p>After 6 above cycles, receiver shall be measured after being placed in natural condition for 1 hour.</p> 
5	Vibration Test	After being applied vibration of amplitude of 1.5mm with 10 to 55Hz band of vibration frequency to each of 3 perpendicular directions for 1 hour, then placed in natural condition for 1 hour, receiver shall be measured.
6	Drop Test	The receiver when mounted in the jig which weight 85g~100g, shall with stand 15 times random drops from a height of 1.5 meter to a concrete floor faced with 5mm thick hard wood board.and be nothing mechanical damage.
7	Load test	After being applied loading white noise with input power 10mW(0.56Vrms.) for 96 hours, then placed in natural condition for 1 hour, receiver shall be measured.
8	Insulation test	When they are measured with DC 100V the insulation resistance between v.c. terminal and frame must be more than 1 M $\Omega$

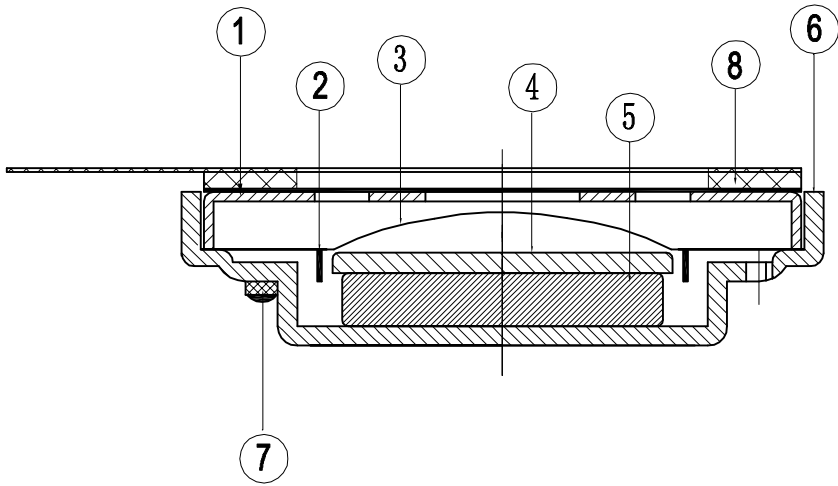
Model No. :                    KP1024R1-U109B	Specification for Receiver	Page	5/9
		Revision No.	1.1
		Drawing No.	KFC2875

## 5. Measurement Block Diagram & Response curve



Specification for Receiver		Page	6/9
		Revision No.	1.1
Model No. : KP1024R1-U109B		Drawing No.	KFC2875

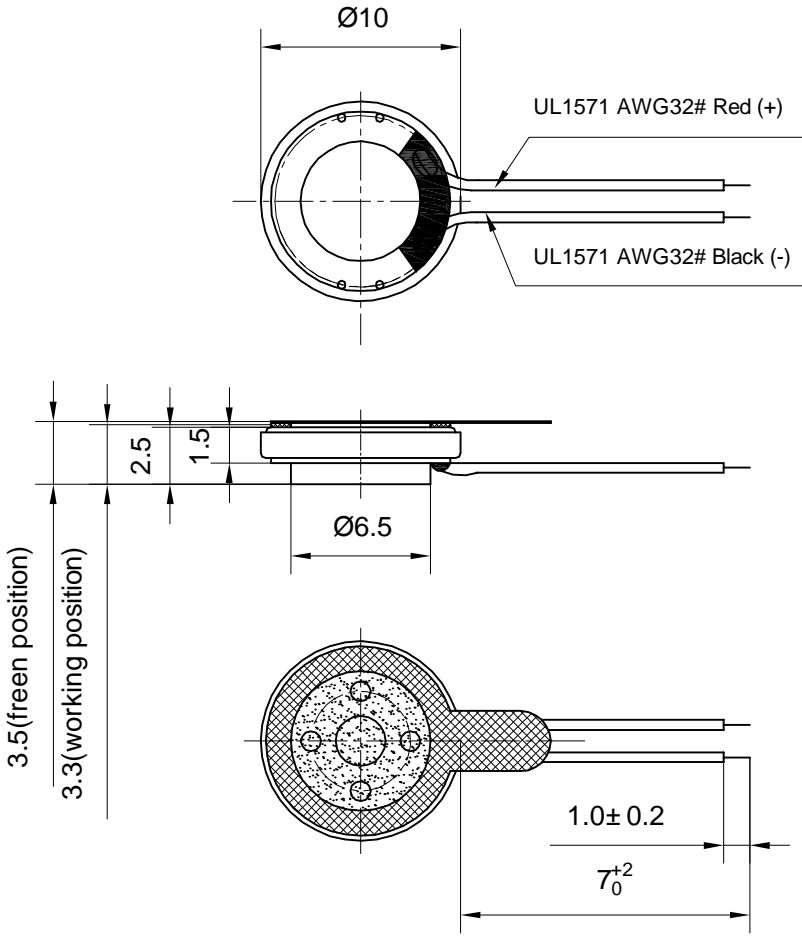
6. Structure



8	Gasket	1	unwoven fabric	800+2B+800+PSR0.5+800
7	Terminal	1	Epoxy PCB	
6	Frame	1	SPC	
5	Magnet	1	Nd-Fe-B	
4	Plate	1	SPC	
3	Diaphragm	1	PEI	
2	Coil	1	Copper	
1	Cap	1	SUS304	
No.	Part Name	Q'TY	Material	Remarks

Specification for Receiver	Page	7/9
	Revision No.	1.1
Model No. : KP1024R1-U109B	Drawing No.	KFC2875

### 7. Dimensions

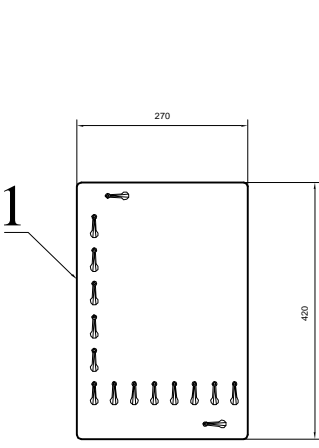


FIRST ANGLE PROJECTION

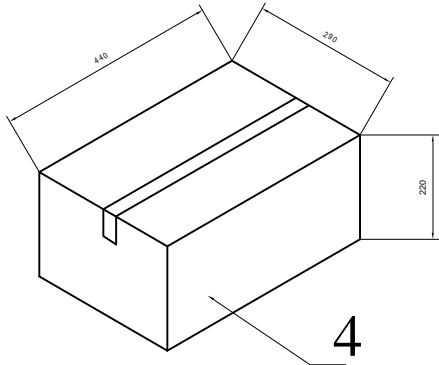
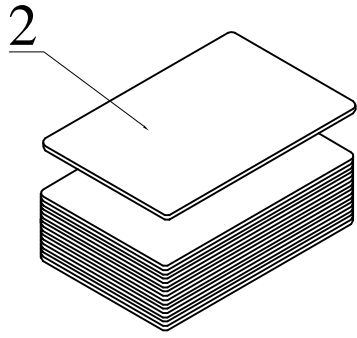
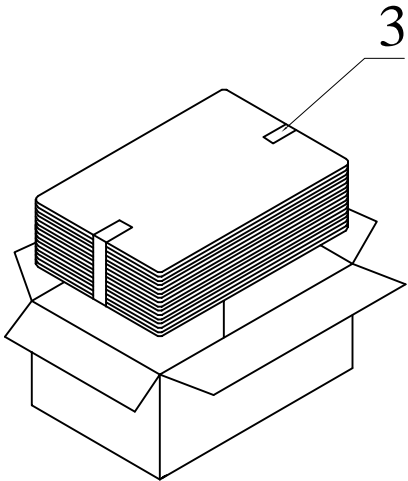
UNIT : mm  
Tolerance :  $\pm 0.2$

Specification for Receiver		Page	8/9
		Revision No.	1.1
Model No. :	KP1024R1-U109B	Drawing No.	KFC2875

### 8. Packing



100Pcs



QTY: 2000Pcs  
440 x290 x220



Specification for Receiver		Page	9/9
Model No. : KP1024R1-U109B		Revision No.	1.1
		Drawing No.	KFC2875

### 9. Revision

Rev. No.	DATE	PAGE	DESCRIPTION	SIGN
1.0	2007.10.22		Primary	
1.0	2007.11.19		Wire change	