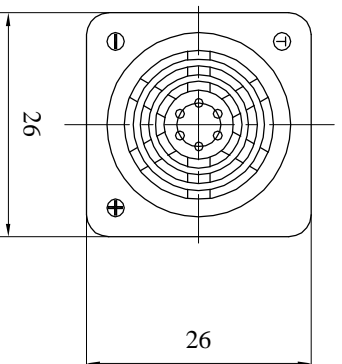
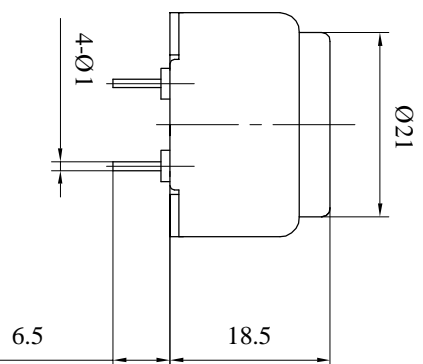
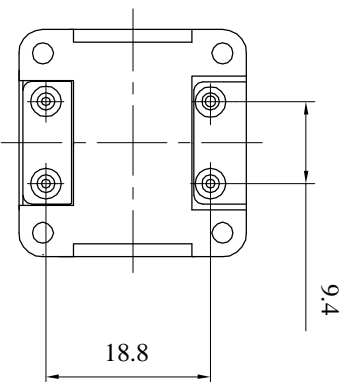
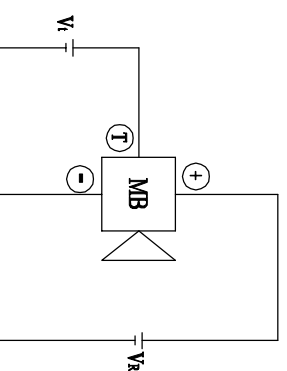


Specifications

1. Rated Voltage (V_R).....24VDC.
 2. Operating Voltage.....16~27VDC.
 3. Trigger Voltage (V_t)..... ≥ 20 VDC.
 4. Resonant Frequency.....400 \pm 100Hz
 - ※5. Rated current..... ≤ 30 mA.
 - ★6. Response Time..... ≤ 400 ms
 - ※7. Min Sound Output at 20cm.....85dB
 - ※8. Trigger Current..... ≤ 1 mA
 9. Case Material.....ABS
 10. Operating Temperature.....-20 $^{\circ}$ C~+60 $^{\circ}$ C
 11. Storage Temperature.....-30 $^{\circ}$ C~+70 $^{\circ}$ C
 12. Weight.....10g
- ※ Valve applying rated voltage ($V_R=V_i$).
 ★ Valve applying min operating voltage ($V_R=V_i$).

■ COUPLED CIRCUIT



No.		DESCRIPTION		APPROVED	DATE	KEPO NINGBO KEPO ELECTRONIC CO.,LTD http://www.chinacoustic.com
DESIGN/ENGINEER/INCH		DRAWN		APPROVALS	DATE	
NOTED/OTHER/INCH		CHECKED		APPROVED	DATE	
XX		XX		APPROVED	DATE	
XXX		XXX		APPROVED	DATE	UNIT
99% ANGLE PRODUCTION		FIRST ANGLE PRODUCTION		APPROVED	DATE	mm
				05.03.17	SCALE	KP3.841.601.02
						SHEET
						VER. 1.0

F

E

D

C

B

A

1

2

3

4

5

6

7

8

1

2

3

4

5

6

7

8

F

E

D

C

B

A