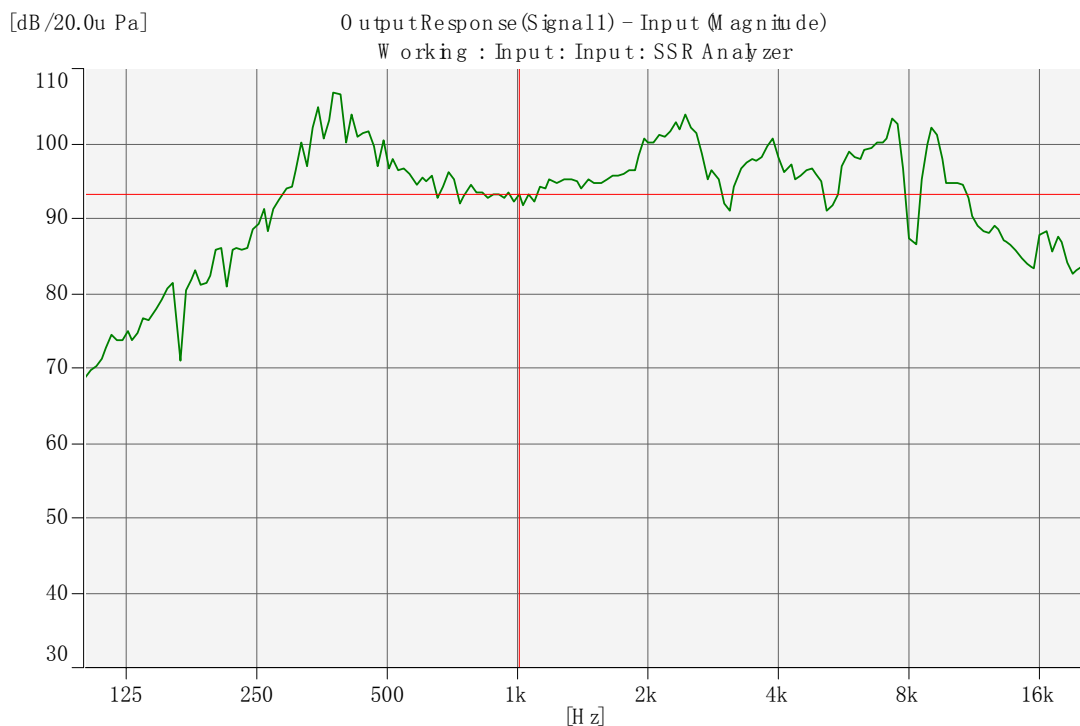
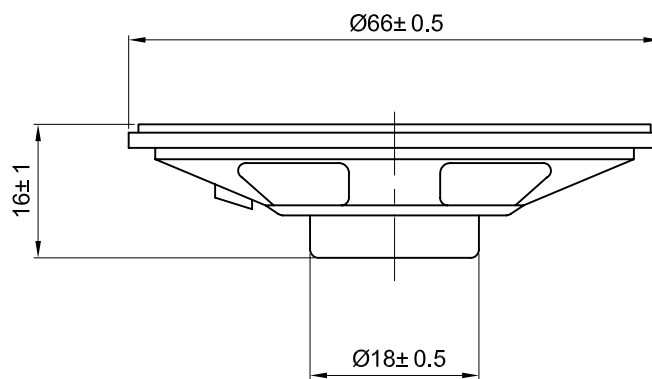
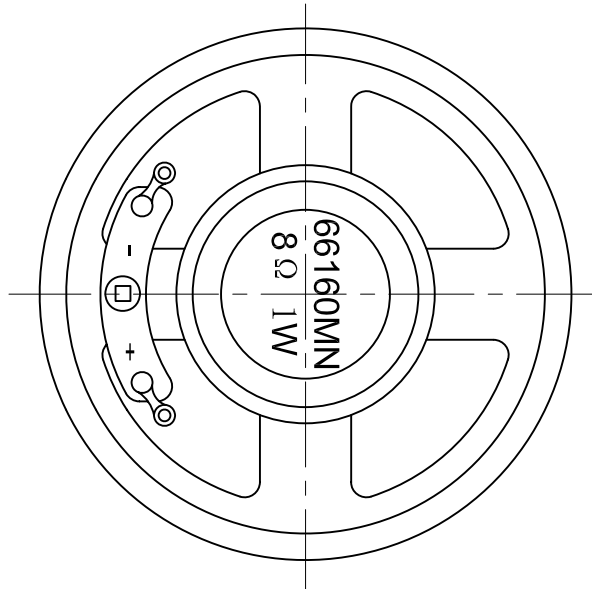


# Speaker Specification 受 控

Customer's Model No.		Customer		QUARTZ-1	
Kepo Model No.		KPSP66160MN-08/1.0G	Size	Φ66mm	No. KF3.002.626.01
No.	Item	Specification	Test Condition		
1	Impedance	8Ω ± 15%	at 800Hz		
2	Resonant Fr. (fo)	450Hz ± 20%			
3	Frequency Range	F0-4.0KHz			
4	Rated Power	1.0W			
5	Max Power	1.2W			
6	S.P.L.	94 ± 3dB	0.1W /0.1M at 0.8,1.0,1.2,1.5KHz		
7	Distortion	Max 5%	at rated power 1.0kHz		
8	Sweep Test	must be normal	at sine wave 2.83V		
9	Load Test	after test meet item 8	rated noise power, 24 Hrs.		
10	Heat Test	after test meet item 8	50 ± 2°C 5Hrs.		
11	Cold Test	after test meet item 8	-20 ± 2°C 5Hrs.		
12	Humidity Test	after test meet item 8	40 ± 2°C, 90/95%R.H. 5Hrs.		
13	Weight				
14	Polarity Test	When supplied plus D.C. voltage to (+) terminal, the cone must move to forward.			
15	Note				



# Dimensions:



FIRST ANGLE PROJECTION

UNIT : mm  
Tolerance :  $\pm 0.2$