

MHz RANGE CRYSTAL UNIT SMD

MA-406 MA-505 / MA-506

- Frequency range : 4 MHz to 64 MHz
- Thickness : 3.7 mm Max.(MA-406)
4.6 mm Max.(MA-505/506)
- Overtone order : Fundamental
3rd overtone(30 MHz to 64 MHz)
- Applications : For Clock of integrated circuit



Actual size

MA-406



MA-505 / 506



Specifications (characteristics)

Item	Symbol	Specifications	Remarks
Nominal frequency range	f	4.000 MHz to 29.999 MHz	Fundamental *1
		30.000 MHz to 64.000 MHz	3rd overtone *2
Temperature range	Storage temperature	-55 °C to +125 °C	Store as bare product after unpacking
	Operating temperature	-20 °C to +70 °C	Please contact us on availability of -40 °C to +85 °C
Level of drive	DL	10 μW to 100 μW	
Frequency tolerance (standard)	f_tol	±50 × 10 ⁻⁶	+25 °C
Frequency versus temperature characteristics (standard)	f_tem	Under 5.5 MHz : ±50 × 10 ⁻⁶	-20 °C to +70 °C
		Over 5.5 MHz : ±30 × 10 ⁻⁶	For the out of standard specifications, please contact us for inquires
Load capacitance	CL	Fundamental: 10 pF to ∞	Please specify
		Overtone: 5 pF to ∞	
Motional resistance (ESR)	R ₁	As per below table	-20 °C to +70 °C, DL=100 μW
Shunt capacitance	C ₀	5 pF Max.	
Frequency aging	f_age	±5 × 10 ⁻⁶ / year Max.	+25 °C, First year

*1 4.0 MHz ≤ f < 5.5 MHz : See "Available frequencies from 4.0 MHz to less than 5.5 MHz". 8.0 MHz < f < 8.2 MHz: Unavailable.

*2 26.000 MHz ≤ f < 30.000 MHz : please contact us for inquiries for 3rd overtone mode.

Available frequency from 4.0 MHz to less than 5.5 MHz (MHz)

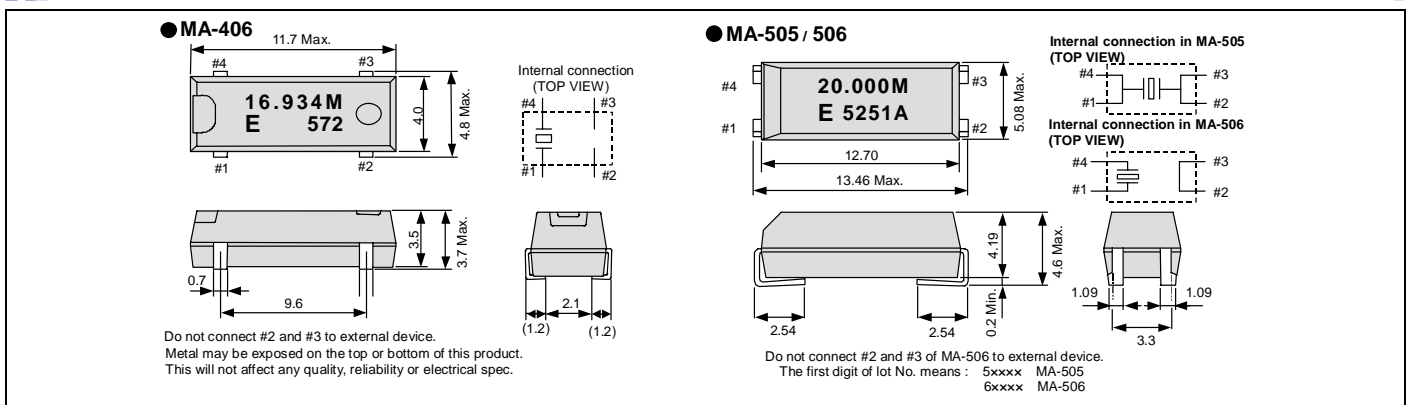
4.000	4.032	4.096	4.190	4.194304	4.433619	4.500	4.800	4.9152
-------	-------	-------	-------	----------	----------	-------	-------	--------

Motional resistance (ESR)

Frequency (MHz)	4.0 ≤ f < 5.5	5.5 ≤ f < 6.0	6.0 ≤ f < 10.0	10.0 ≤ f < 12.0	12.0 ≤ f < 16.0	16.0 ≤ f < 30.0	30.0 ≤ f ≤ 36.0	36.0 < f ≤ 64.0
Motional resistance	150 Ω Max.	100 Ω Max.	80 Ω Max.	60 Ω Max.	50 Ω Max.	40 Ω Max.	100 Ω Max.	80 Ω Max.
Overtone order	Fundamental						3rd overtone	

External dimensions

(Unit:mm)



Footprint (Recommended)

(Unit:mm)

