

# TEMPERATURE COMPENSATED CRYSTAL OSCILLATORS NT5032S SERIES

## Model NT5032SC

■ Main applications: Mobilephone

- Features
- Low power supply voltage. (Power supply voltage: +2.4V DC  $\pm$ 0.1V min)
  - Height 1.5mm max, volume 0.022cm<sup>3</sup>, weight 0.06g (light & small)
  - This is “with AFC” version
  - Surface mount type (This is applicable to reflow soldering)
  - Products are lead-free. These can meet the requirements of re-flow profiling using lead-free solder.
  - Low power consumption

## Specification

Item	Model	NT5032SC
Standard Nominal Frequency (MHz)		12.8, 13, 14.4, 19.2, 19.68, 19.8, 26
Supply Voltage		+3.0V DC
Load		10k $\Omega$ //10pF
Current Consumption		1.5mA max
Output Voltage		0.8V (P-P) min (DC coupling *1)
Frequency Stability		$\pm 2.5 \times 10^{-6}$ max
		-30~+75°C
Supply Volt Change		$\pm 0.3 \times 10^{-6}$ max/+3.0V $\pm$ 5%
Aging		$\pm 1.0 \times 10^{-6}$ max/year
AFC Charact.		$\pm 9 \times 10^{-6}$ ~ $\pm 15 \times 10^{-6}$ /+1.5 $\pm$ 1V *2

Note: Frequency adjustment condition

(1) Adjustment is conducted in room temperature (+25 $\pm$ 2°C).

(2) For adjustment, oscillator is placed on the printed board which has earth pattern.

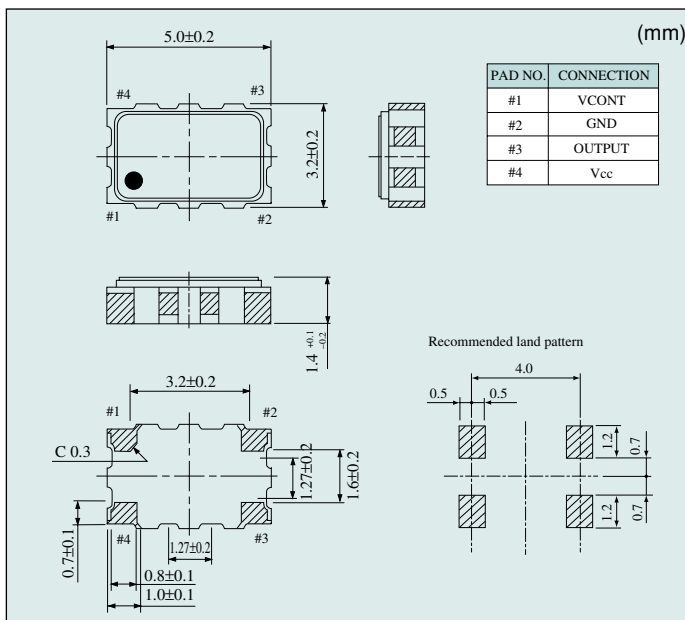
If you need NON-standing spec. for frequency, Supply Voltage & AFC charact etc, please contact us.

\*1 DC-cut capacitor of output is not put in VC-TCXO. Please add DC-cut capacitor (1,000pF) in oscillators output line.

\*2 It is a typical specification. According to the frequency, there is possibility that the specification changes.



## Dimensions

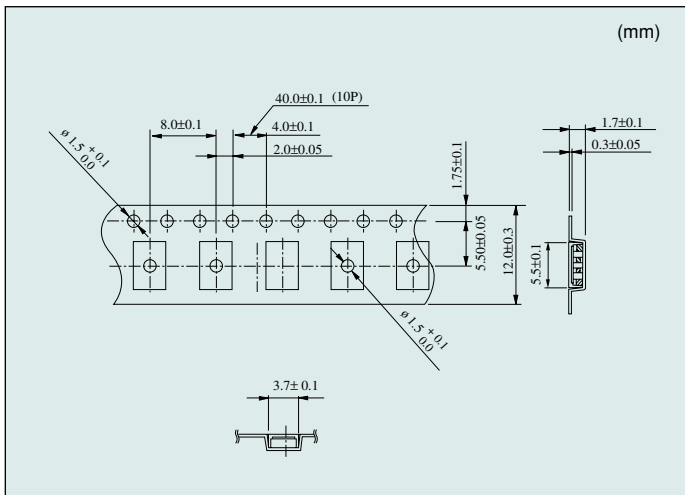


# CRYSTAL OSCILLATORS

## TEMPERATURE COMPENSATED CRYSTAL OSCILLATORS NT5032S SERIES

- Taping package below is standard for NT5032S series.
- 2,000 pieces/reel are boxed and shipped with the taping method as shown above.
- Tray packaging is applied to the delivery of small number products or samples.

### ■ Tape



### ■ Real

