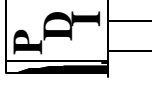


Precision Devices, Inc.

8840 N. Greenview Dr.
 Middleton, WI 53562
 Phone: 608-831-4445
 1-800-274-XTAL
 Fax: 608-831-3343



Visit our web site at www.pdixtal.com

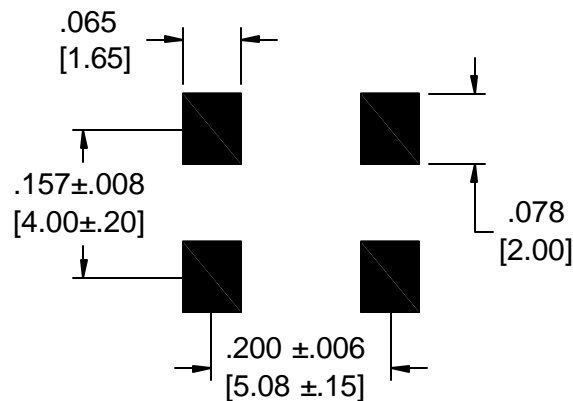
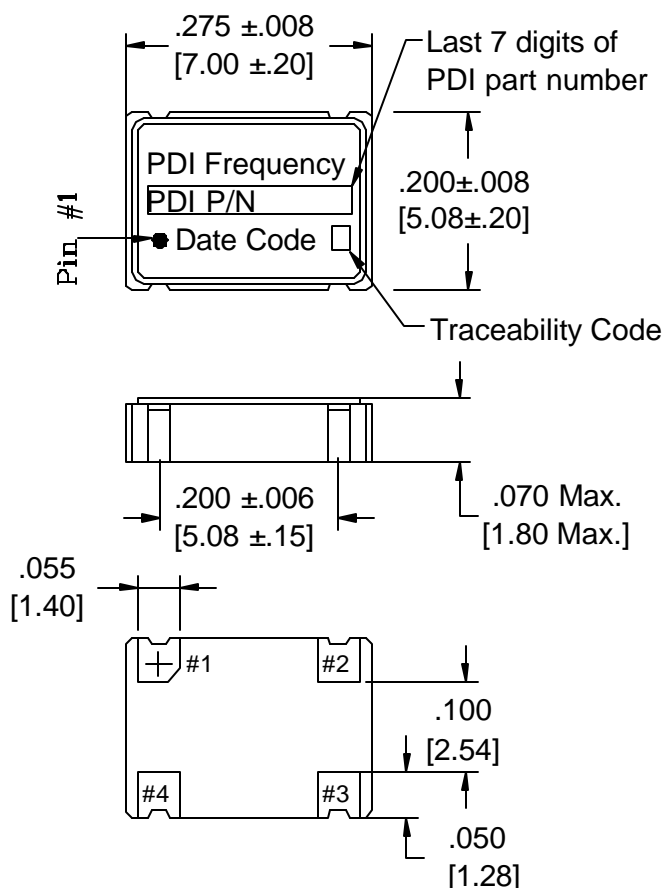
Sales Information sales@pdixtal.com

Electrical Specifications

1. Center Frequency: 25.000000MHz
2. Output: HCMOS
3. Frequency Stability: ± 50 ppm All inclusive
4. Operating Temperature Range: -40°C to $+85^{\circ}\text{C}$
5. Storage Temperature Range: -55°C to $+125^{\circ}\text{C}$
6. Supply Voltage: 2.5V $\pm 5\%$
7. Supply Current: 10mA Max.
8. Duty Cycle: 45/55% Max. (50% Vdd)
9. T-Rise, T-Fall: 4nS Max.
10. Output Voltage:
 VoL: 10% Vdd
 VoH: 90% Vdd Min.
11. Output Current
 IoL: 4mA Min.
 IoH: 4mA Min.
12. Output Load: 15pF Max.
13. Standby Current: 10uA Max.
14. Start-up Time: 10mS Max.
15. Output Disable Time: 150nS Max.
16. Output Enable Time: 10mS Max.

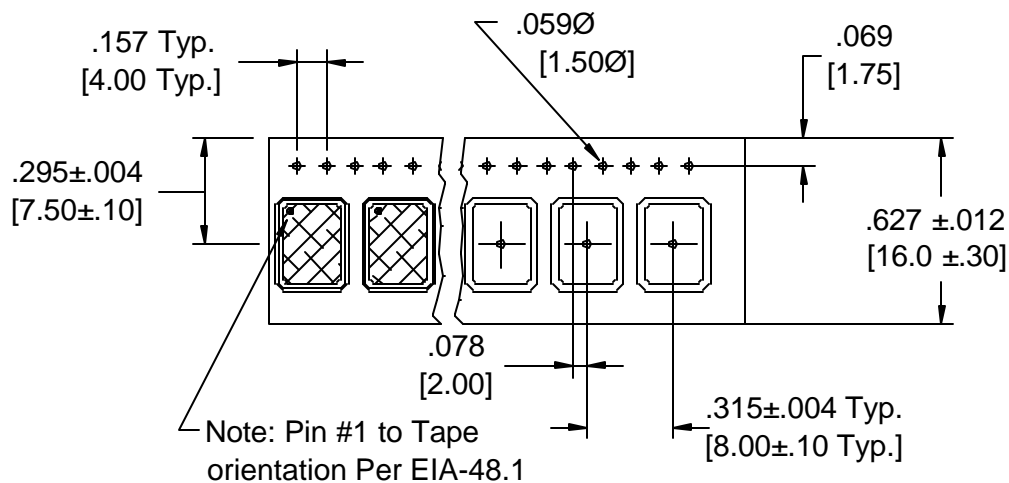
The information contained in this drawing is the sole property of Precision Devices Inc. Any reproduction in part or as a whole without the written permission of Precision Devices Inc. is prohibited.

REV.	DATE	PAGE	DESCRIPTION	Auth.	ECN	Originator	Date	Engineering	Date
						J.R.B.	7/16/08	B.A.A.	7/16/08
						TITLE Crystal Oscillator Assembly		FKA	5541R
						PART NUMBER	OC7E2500XHC DRA		
						DATE	SCALE	ECN.	REV.
						7/16/08	N.T.S.	A	E0821
A	7/08	1	Changing R/F Times from 5nS Max. to 4nS Max.	J.L.	E0821	SIZE	CAGE	Page 1 of 2	
						A	0S4G1		



Recommended Land Pattern

PIN	Connection
1	Enable/Disable
2	Ground
3	Output
4	Vcc



Precision Devices Inc.

8840 N. Greenview Dr.
Middleton WI 53562
608-831-4445
1-800-274-XTAL



Manufacturer of Quartz Crystal Products

DECIMAL	DWG FILE	PART NUMBER	
XX=±.020 XXX=±.008	5541R	OC7E25000XHCDRA	
METRIC	SCALE	FREQUENCY	DRAWN BY
XX=±.50 XXX=±.20	N.T.S.	25.000000MHz	J. Bender
ANGULAR	DRAWING TYPE	DATE	
XX=±2°	Ceramic Crystal Oscillator Assembly	7/16/08	
	REV. LEVEL	ECN NO.	CAGE CODE
	E0821	A	0S4G1