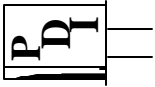
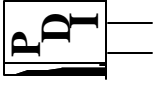


Precision Devices, Inc.



8840 N. Greenview Dr.
 Middleton, WI 53562
 Phone: 608-831-4445
 1-800-274-XTAL
 Fax: 608-831-3343



Visit our web site at www.pdixtal.com

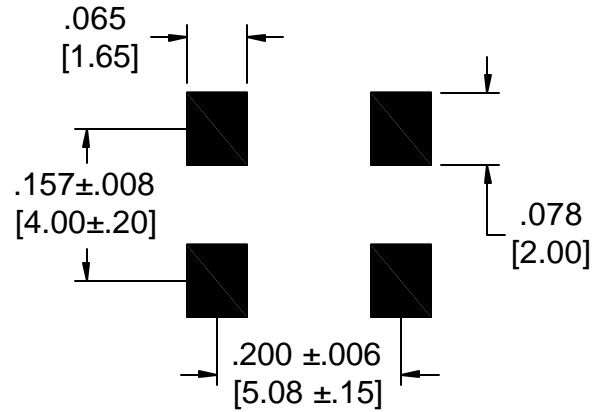
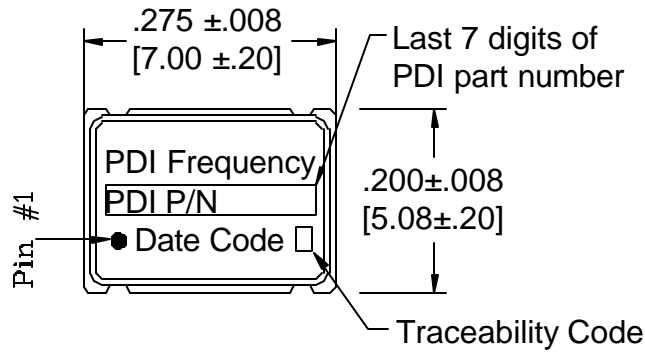
Sales Information sales@pdixtal.com

Electrical Specifications

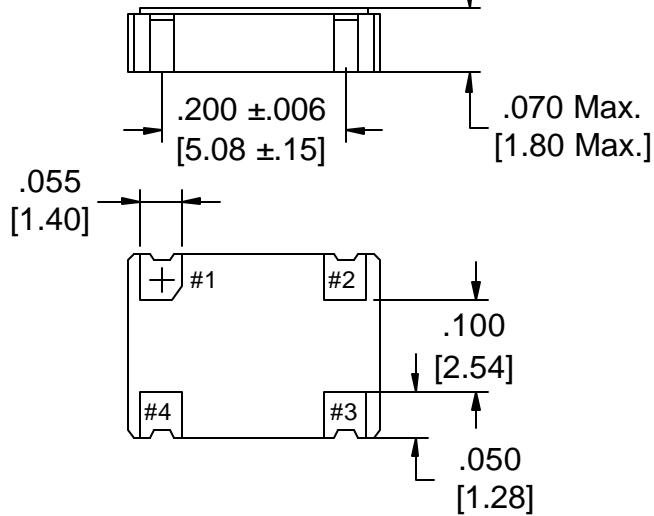
1. Center Frequency: 77.76000 MHz
2. Output: HCMOS/TTL
3. Frequency Tolerance @ 25°C: See Frequency Stability
4. Operating Temperature Range: -40°C to +85°C
5. Frequency Stability: ±25ppm (All Conditions)
6. Storage Temperature Range: -55°C to 125°C
7. Duty Cycle: 45/55% Typical, 40/60% Maximum
8. T-Rise, T-Fall: 5.0nS Maximum
9. Supply Current: 20mA Maximum
10. Output Current: 50mA Maximum
11. Start-Up Time: 10mS Maximum
12. Supply Voltage: +2.5Vdc±5%
13. Load: 10LS TTL, 15pF Maximum
14. Output Voltage: VOL: 10% Vdd Maximum
 VOH: 90% Vdd Minimum
15. Jitter: 3pS Maximum

The information contained in this drawing is the sole property of Precision Devices Inc. Any reproduction in part or as a whole without the written permission of Precision Devices Inc. is prohibited.

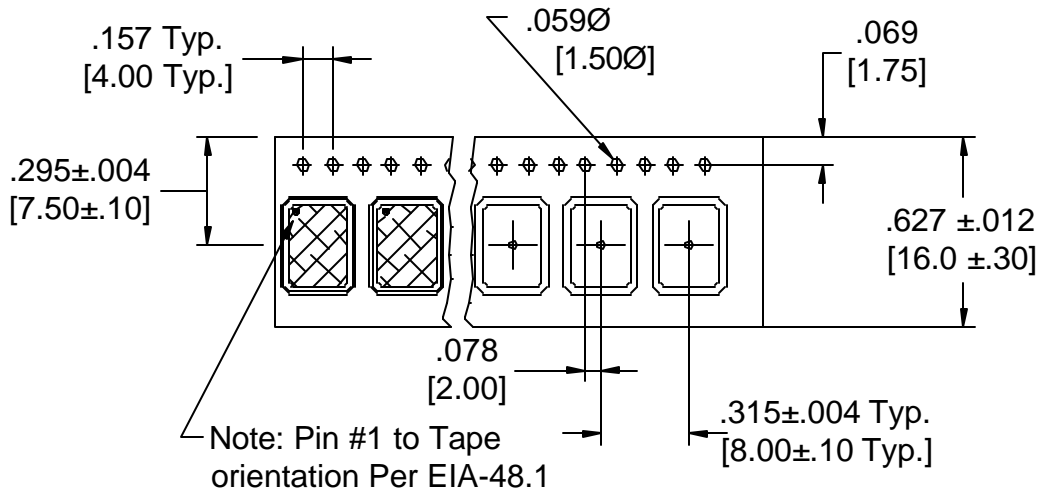
REV.	DATE	PAGE	DESCRIPTION	Auth.	ECN	FOR PRELIMINARY USE ONLY				
						Specifications subject to change without notice.				
						TITLE	FKA	6771R		
						Crystal Oscillator Assembly				
						PART NUMBER	OC7E77760XLBDRX			
						DATE	SCALE	ECN.	REV.	
						5/20/08	N.T.S.	N/A	N/A	
						SIZE	CAGE	0S4G1		Page 1 of 2
						A				



Recommended Land Pattern



PIN	Connection
1	Enable/Disable
2	Ground
3	Output
4	Vcc



Precision Devices Inc.

8840 N. Greenview Dr.
Middleton WI 53562
608-831-4445
1-800-274-XTAL



Manufacturer of Quartz Crystal Products

DECIMAL	DWG FILE	PART NUMBER	
XX=±.020 XXX=±.008	6771R	OC7E77760XLBDRX	
METRIC	SCALE	FREQUENCY	DRAWN BY
XX=±.50 XXX=±.20	N.T.S.	77.760000 MHz	J.Lawinger
ANGULAR	DRAWING TYPE		DATE
XX=±2°	Crystal Oscillator Assembly		5/20/08
	REV. LEVEL	ECN NO.	CAGE CODE
	N/A	N/A	0S4G1