

SMD Crystal Resonators / MHz Band Crystal Resonators (For Automotive)

SMD-49



Actual size

■ Features

- Capable of operating over a wide temperature range.
- Offers high reliability such as excellent shock and vibration resistance as well as excellent frequency stability.
- Automatic mounting and reflow soldering applicable.
- AEC-Q200 Compliant
- Pb free
- RoHS/ELV Compliant



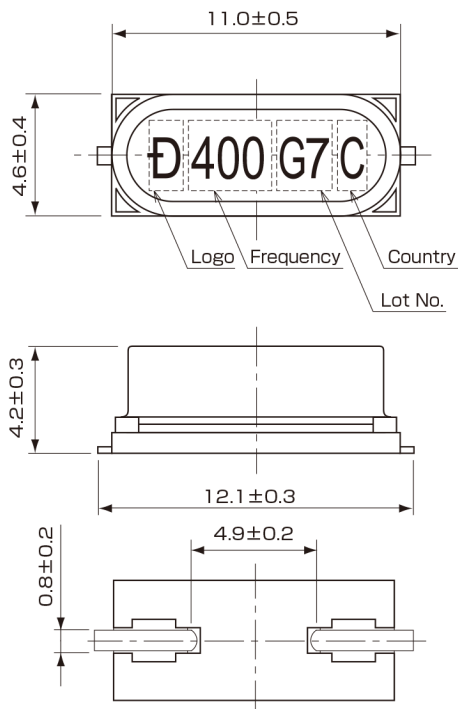
■ Standard Specification

Item	Type	SMD-49	
Frequency Range		4MHz	8MHz
Overtone Order		Fundamental	
Load Capacitance		8pF, 10pF, 12pF	
Drive Level		10μW (300μW max.)	
Frequency Tolerance		±30×10 ⁻⁶ (at 25°C)	
Series Resistance		120Ω max.	60Ω max.
Frequency Characteristics over Temperature		±100×10 ⁻⁶ / -40~+125°C	
Storage Temperature Range		-40~+150°C	
Reliability		AEC-Q200	
Packing Unit		1000pcs./reel (φ330)	

Consult our sales representative for other specifications.

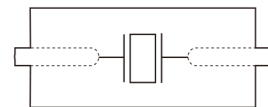
[mm]

■ Dimensions



■ Internal Connections

〈Top View〉



■ Recommended Land Pattern

〈Top View〉

