



Precision Devices, Inc.

8840 N. Greenview Dr.
 Middleton, WI 53562
 Phone: 608-831-4445
 1-800-274-XTAL
 Fax: 608-831-3343



Visit our web site at www.pdixtal.com

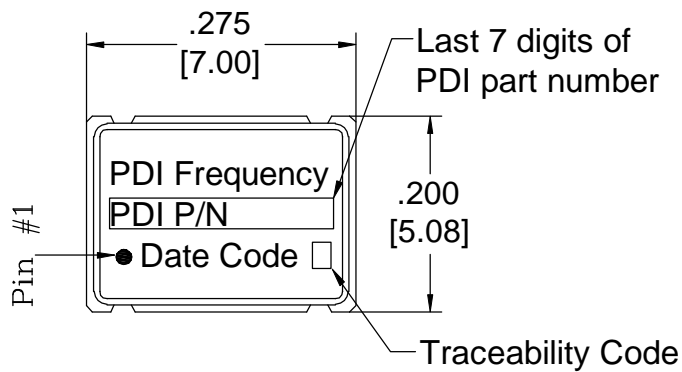
Sales Information sales@pdixtal.com

Electrical Specifications

- Center Frequency: 10.000000MHz
- Frequency Tolerance at +25°C ±3°C: ±1.5ppm (After reflows)
- Operating Temperature Range: 0°C to +70°C
- Storage Temperature Range: -40°C to +85°C
- Temperature Frequency Stability: ±2.5ppm
- Supply Voltage Stability: ±0.2ppm ±5 %
- Load Stability: ±0.2ppm/(10K Ohm/10pF) ±10 %
- Aging: ±1.0ppm per year Max.
- Supply Current: 2.0mA Max.
- Supply Voltage: +5.0Vdc ±5 %
- Output Voltage Level: 0.8V Min.
- Output Load: 10K Ohms/10pF
- Start-up Time: 3.0mSec Max.
- Phase Noise: -130.0dBc/Hz (Typ. 1.0KHz)
- Voltage Trim Range: ±5.0ppm

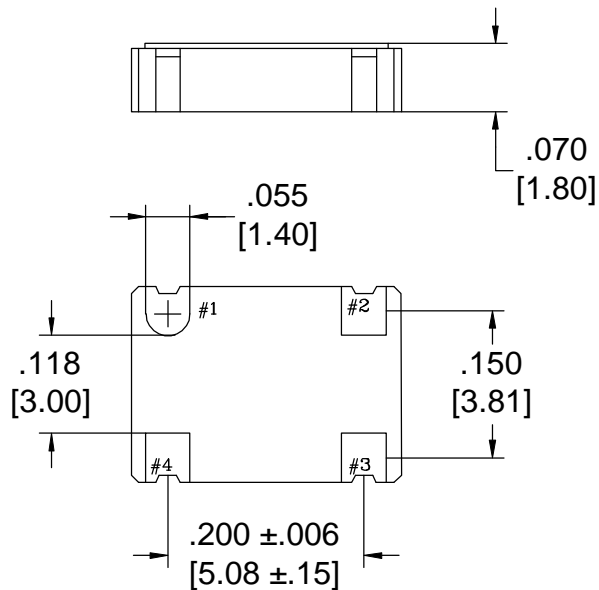
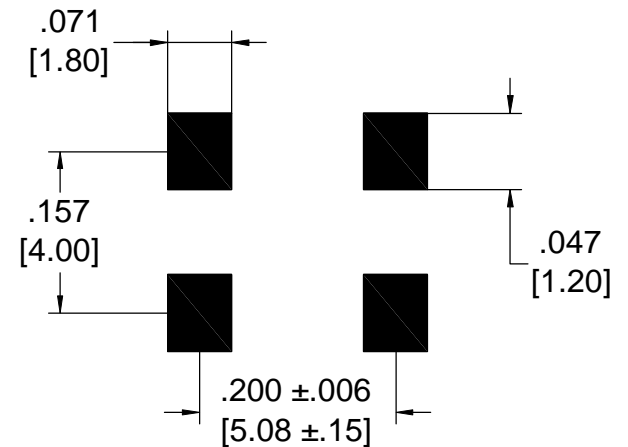
The information contained in this drawing is the sole property of Precision Devices Inc. Any reproduction in part or as a whole without the written permission of Precision Devices Inc. is prohibited.

REV.	DATE	PAGE	DESCRIPTION	Auth.	ECN	Originator	Date	Engineering	Date
						J.R.B.	12/20/04	D.W.	12/20/04
						TITLE Voltage Controlled TCXO		FKA 17512	
						PART NUMBER TV0710000XSAXX			
B	12/04	1	Revised supply voltage stability and suppl current	JRB	E0571	DATE 12/20/04	SCALE N.T.S.	ECN. E0571	REV. B
A	09/03	1	Added Voltage Trim Range	N/A	E0014	SIZE A	CAGE OS4G1		Page 1 of 2



PIN	CONNECTION
1	Voltage Control
2	Ground
3	Output
4	Supply

Recommended Land Pattern



Precision Devices Inc.

8840 N. Greenview Dr.
 Middleton WI 53562
 608-831-4445
 1-800-274-XTAL



Manufacturer of Quartz Crystal Products

DECIMAL XX=±.020 XXX=±.008	DWG FILE 17512	PART NUMBER TV0710000XYSAXX	
METRIC XX=±.50 XXX=±.20	SCALE N.T.S.	FREQUENCY 10.000000MHz	DRAWN BY J. Bender
ANGULAR XX=±2°	REV. LEVEL B	ECN NO. E0571	DATE 12/20/04
		CAGE CODE OS4G1	Page 2 of 2