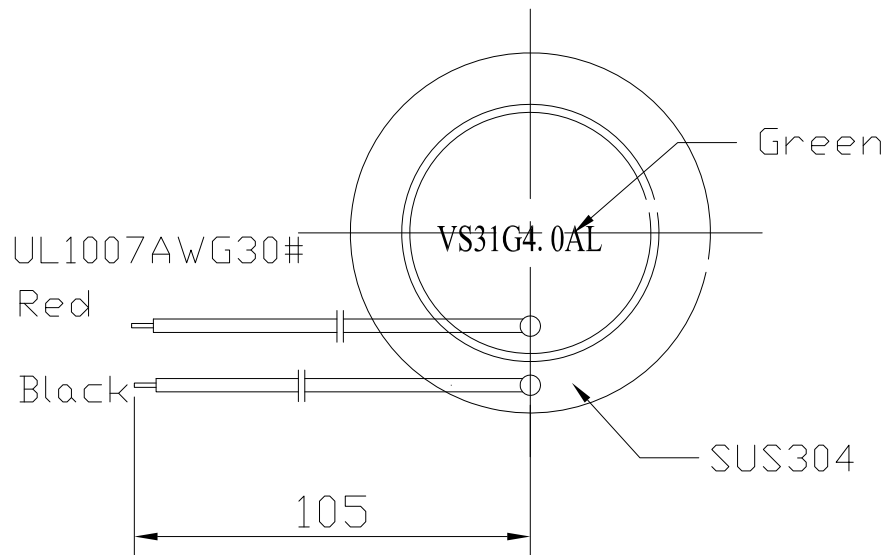


SPECIFICATION

1. Resonant Frequency 4.0 ± 0.3 kHz
2. Static Capacitance $55000 \pm 30\%$ (pF) at 100 Hz
3. Resonant Impedance 500Ω Max
4. Operating Voltage 30 Vp-p max
5. Operating Temperature -20 to $+70$ ($^{\circ}\text{C}$)
6. Storage Temperature -30 to $+80$ ($^{\circ}\text{C}$)
7. Metal Material SUS304



技术要求:

- 1, 焊锡焊盘的尺寸中最大为2毫米。
- 2, 产品符合欧盟环保要求。

			NINGBO VOISE ELECTRONICS CO.,LTD http://www.nbvoise.com	
No.	DESCRIPTION	APPROVED	DATE	
TOLERANCES UNLESS NOTED OTHERWISE: .X ± .XX ± .XXX ± 90° FORMED +2° ANGLES -1°		APPROVALS	DATE	
FIRST ANGLE PROJECTION		DRAWN	UNIT	DWG NO.
		CHECKED	mm	VS20230109016
		APPROVED	SCALE	SHEET
				VER 1.0