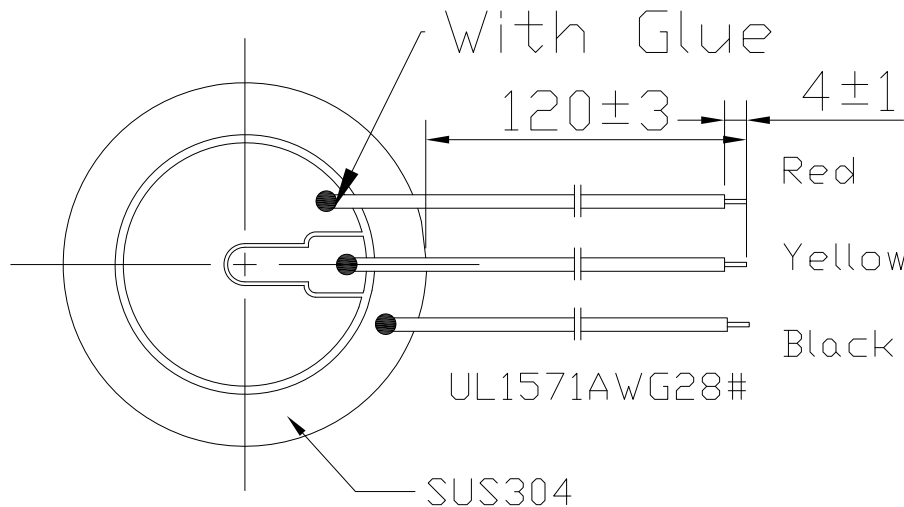


SPECIFICATION

- 1. Resonant Frequency3.2±0.5kHz
- 2. Static Capacitance30000±30%(pF) at 100Hz
- 3. Resonant Impedance300 Ω Max
- 4. Insulation Resistance100 Ω Min
- 5. Operating VoltageVp-p 30max
- 6. Operating Temperature-20-+70(°C)
- 7. Storage Temperature-20-+80(°C)
- 8. Metal Material.....SUS304



保护胶参考



技术要求:

- 1, 焊锡焊盘的尺寸中最大为2毫米.
- 2, 焊点上必须涂保护胶; 见图示.
- 3, 产品符合欧盟环保要求.

				NINGBO VOISE ELECTRONICS CO.,LTD http://www.nbvoise.com	
No.	DESCRIPTION	APPROVED	DATE	Piezoelectric Element VS-35G-3,2BL120 (G)	
TOLERANCES UNLESS NOTED OTHERWISE: X ± XX ± XXX ± 90° FORMED +2° ANGLES -1°		APPROVALS	DATE		
FIRST ANGLE PROJECTION		CHECKED		UNIT mm	DWG NO. VS20210823011
APPROVED			19.02.23	SCALE	SHEET
					VER 1.0