

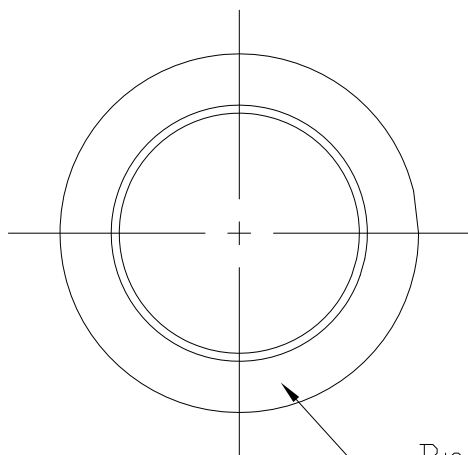
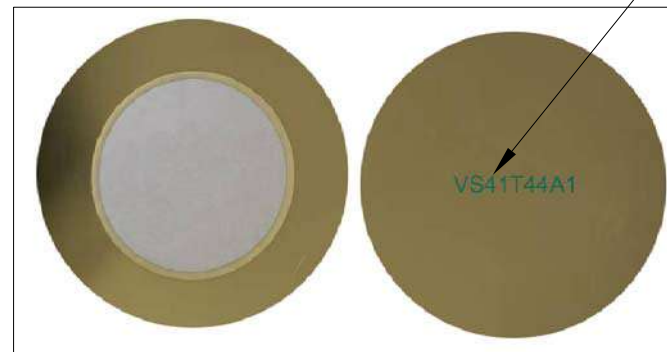
GREEN-铜  
面印绿色  
字

## SPECIFICATION

### SCOPE

- 1. Resonant Frequency ..... 4.4±0.4kHz
- 2. Static Capacitance ..... 40000±30%pF at 100Hz
- 3. Resonant Impedance ..... 500 Ω Max
- 4. Operating Voltage ..... 30 Vp-p max
- 5. Operating Temperature ..... -20-+60(°C)
- 6. Storage Temperature ..... -20-+70(°C)
- 7. Metal Material..... Brass

Marking: VS41T44A1



Brass

技术要求:

- 1, 产品符合欧盟环保要求。

						NINGBO VOISE ELECTRONICS CO.,LTD <a href="http://www.nbvoise.com">http://www.nbvoise.com</a>	
No.	DESCRIPTION	APPROVED	DATE	Piezoelectric Element VS41T44A1			
TOLERANCES UNLESS NOTED OTHERWISE: X ± XX + XXX + 90° FORMED +2° ANGLES -1°		APPROVALS	DATE	UNIT		DWG NO.	
FIRST ANGLE PROJECTION		CHECKED		mm		VS20190529011.01	
		APPROVED	19.05.29	SCALE		SHEET	VER 1.0