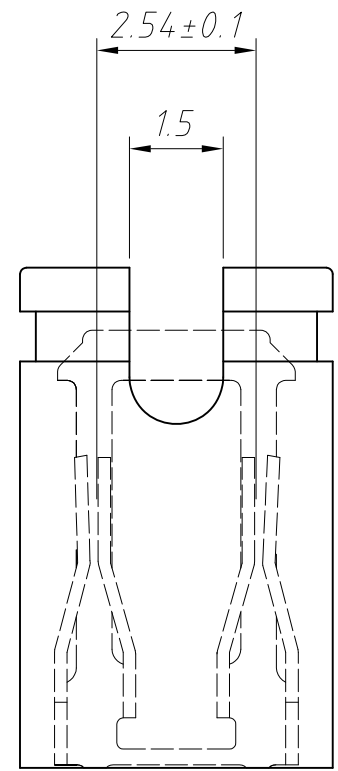
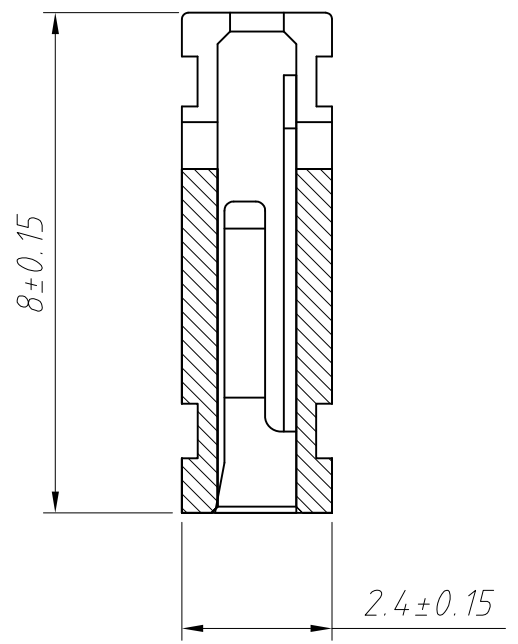
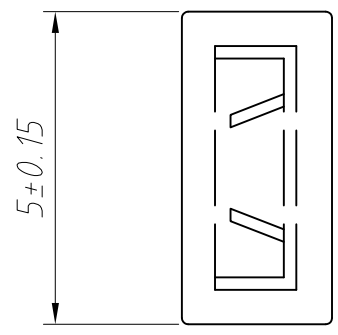


1  
RoHS Compliance



*Material:*  
 Standard:PBT  
 Contact:Brass  
 Contact Plating: Au Over Ni  
 Insulator: Polyester, UL 94V-0

*Electrical Characteristics:*  
 Rated Current: 3.0AMP  
 Contact Resistance: 20mΩ Max  
 Withstand Voltage: 1000V AC/DC  
 Insulator Resistance: 1000MΩ Min

*Mechanical*  
 Operating Temperature: -40°C ~ +105°C  
 Max.Processing Temp: 180°C for 30-60 seconds  
 (200°C for 10 seconds)

*Order Information:*  
 L-KLS1-203A-0-B-8.0

L: RoHS  
 Pin Header Series  
 203A: 2.54mm  
 Housing Type: 0-Open  
 Color: B-Black R-Red  
 L-Blue G-Green  
 Height: Open Type: 8.0mm

ANGLE TOLERANCE	PROJECTION		Description:		
±3°			2.54mm Pitch Mini Jumper Connector		
GENERAL TOLERANCE	UNITS	mm	KLS P/N:	L-KLS1-203A-0-B-8.0	
x.x ±0.30	SHEET SIZE	A4		NingBo KLS ELECTRONIC CO.,LTD.	
x.xx ±0.20	Draw:	Daniel			2018-07-10
x.xxx ±0.10	Check:	Daniel			2018-07-10