

RoHS Compliance

Material:
 Housing: PBT UL94V-0
 Contacts: Brass
 Plating: Au or Sn Over Ni
 Cable: 1.27mm (0.050") pitch flat cable

Electrical Characteristics:
 Current Rating: 3.0 AMP
 Withstand Voltage: 1000V AC
 Insulator Resistance: 1000M Ohm min
 Contact Resistance: 20m Ohm max.
 Operating Temperature: -40°C ~ +105°C
 Max.Processing Temp: 180°C for 30-60 seconds
 (200°C for 10 seconds)

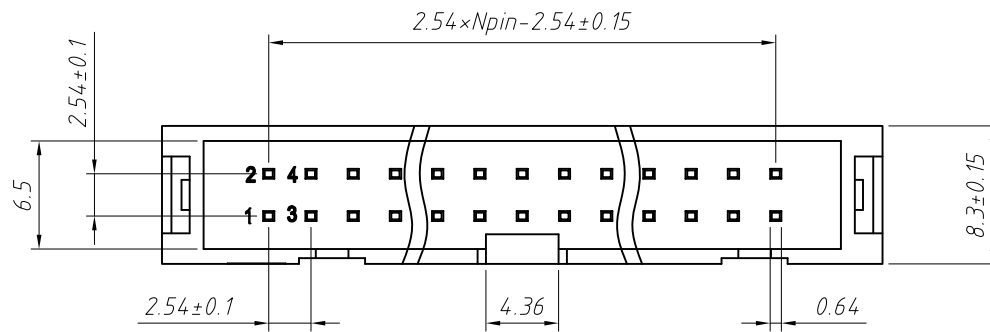
Order Information:
 L-KLS1-201Z-XX-G-E
 L: RoHS
 IDC connectors
 2.54mm Pitch
 XX-No. of 06 ~ 64pin
 Color: B-Black G-Gray
 Type:
 E-With ears N-Without ears

ANGLE TOLERANCE	PROJECTION	Description:
±3°		2.54mm Pitch IDC Box Header Connector
GENERAL TOLERANCE	UNITS	mm
x.x ±0.30	SHEET SIZE	A4
x.xx ±0.20	Draw:	Daniel 2018-07-10
x.xxx ±0.10	Check:	Daniel 2018-07-10



NingBo KLS ELECTRONIC CO.,L TD.

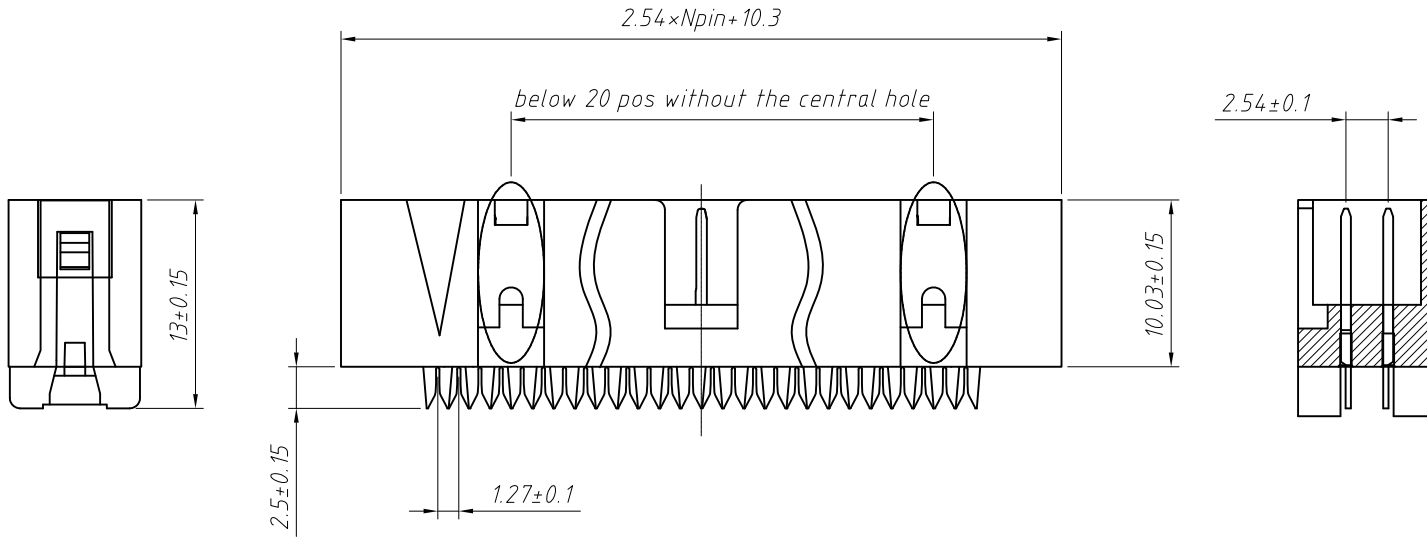
1
RoHS Compliance



Material:
Housing: PBT,UL94V-0
Contacts: Brass
Plating: Au or Sn Over Ni
Cable: 1.27mm (0.050") pitch flat cable

Electrical Characteristics:
Current Rating: 3.0 AMP
Withstand Voltage: 1000V AC
Insulator Resistance: 1000M Ohm min
Contact Resistance: 20m Ohm max.
Operating Temperature: -40°C ~ +105°C
Max.Processing Temp:180°C for 30-60 seconds
(200°C for 10 seconds)

D



Order Information:
L-KLS1-201Z-XX-G-N

L: RoHS

IDC connectors

2.54mm Pitch

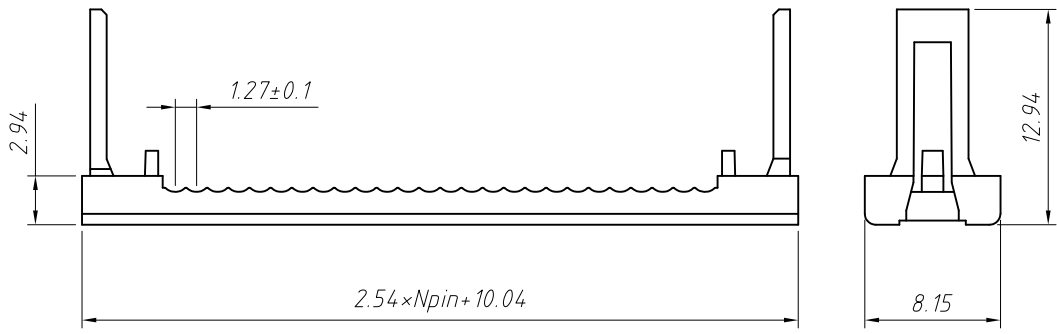
XX-No.of 06 ~ 64pin

Color:B-Black G-Gray

Type: _____

E-With ears N-Without ears

G



ANGLE TOLERANCE		PROJECTION		Description:	
±3°				2.54mm Pitch IDC Box Header Connector	
GENERAL TOLERANCE		UNITS	mm	KLS P/N:	
x.x	±0.30	SHEET SIZE	A4	L-KLS1-201Z-XX-G-N	
x.xx	±0.20	Draw:	Daniel	2018-07-10	
x.xxx	±0.10	Check:	Daniel	2018-07-10	

NingBo KLS ELECTRONIC CO.,L TD.

H

H