

**PCB Connector Series**

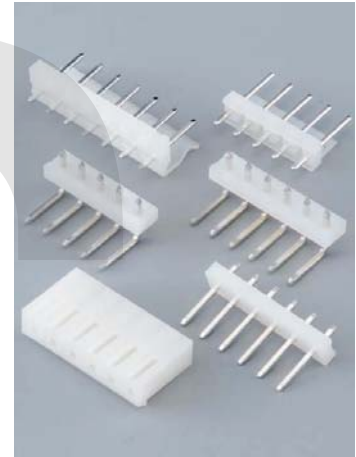
KLS1-5.08 Pitch=5.08mm TYPE

**Electrical Specification:**

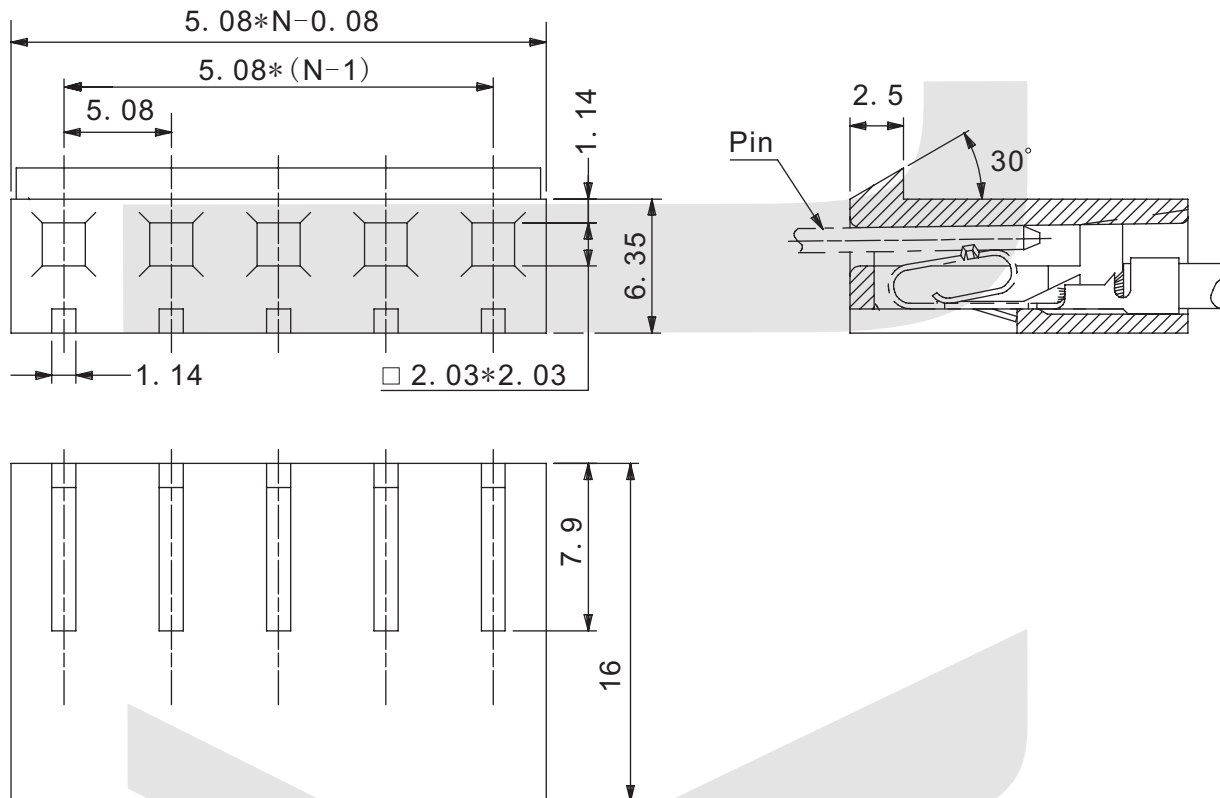
- Rated Voltage: 250V AC/DC
- Rated Current: 5A
- Contact Resistance: 0.02 Ohm max
- Insulation Resistance: 1000M Ohm min
- Withstand voltage: 1500V AC/MIN
- Temperature range for usage : -25°C~+85°C
- P.C board thickness : 1.6mm

**Material:**

- Housing: PA66 (PA66) UL94V-2
- Contacts: Brass or Phosphor Bronze
- Plating: Tin 50u" over 100u" nickel
- Wire range : AWG#24~#18



**Housing**



**ORDER INFORMATION**

Product NO.: KLS1-5.08-XX-H

Pitch: 5.08=5.08mm

Type: H=Housing  
S=Straight Male pin

T=Terminal  
R=Right Male pin

PIN Number: 02 ~ 14Pin

**PCB Connector Series**

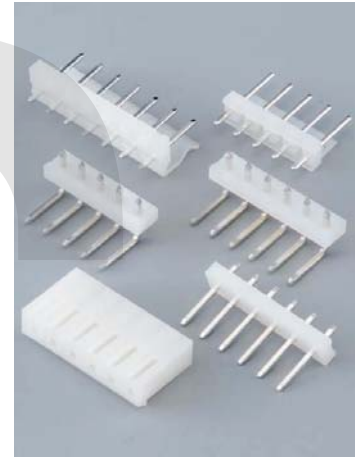
KLS1-5.08 Pitch=5.08mm TYPE

**Electrical Specification:**

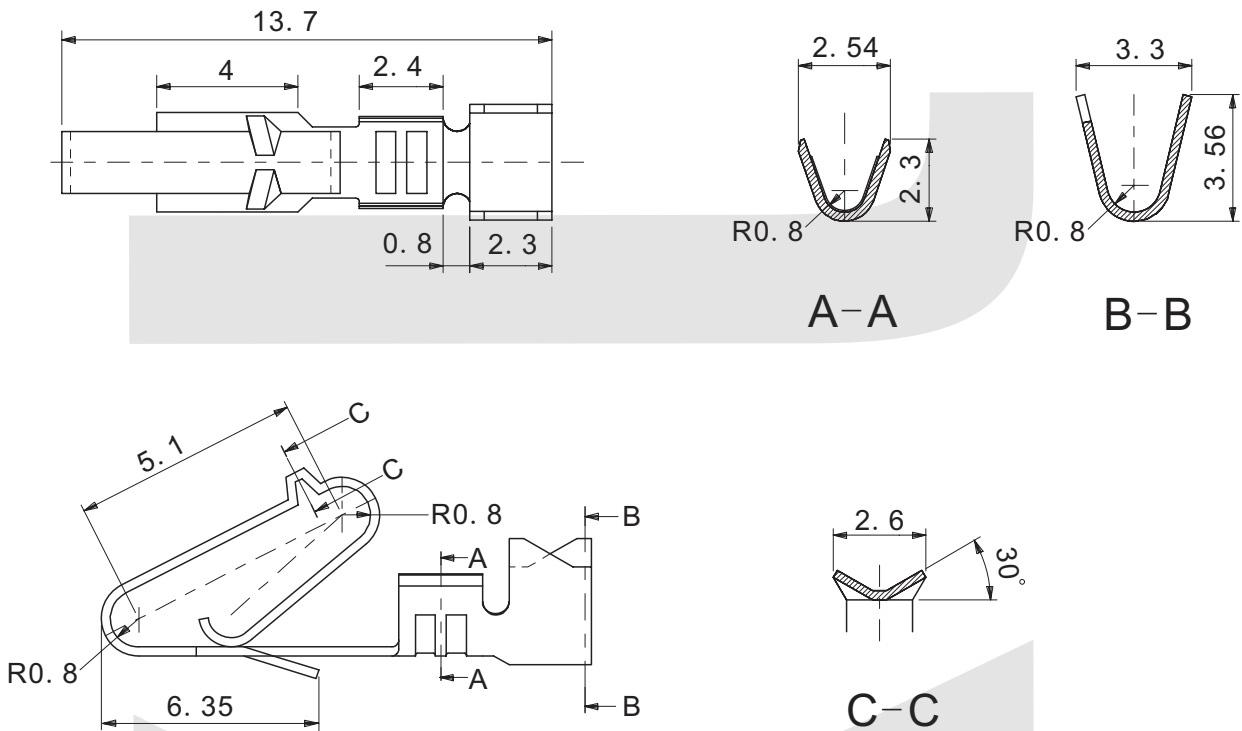
- Rated Voltage: 250V AC/DC
- Rated Current: 5A
- Contact Resistance: 0.02 Ohm max
- Insulation Resistance: 1000M Ohm min
- Withstand voltage: 1500V AC/MIN
- Temperature range for usage : -25°C~+85°C
- P.C board thickness : 1.6mm

**Material:**

- Housing: PA66 (PA66) UL94V-2
- Contacts: Brass or Phosphor Bronze
- Plating: Tin 50u" over 100u" nickel
- Wire range : AWG#24~#18



**Terminal**



**ORDER INFORMATION**

Product NO.: KLS1-5.08-T

Pitch: 5.08=5.08mm

Type: H=Housing S=Straight Male pin T=Terminal R=Right Male pin

**PCB Connector Series**

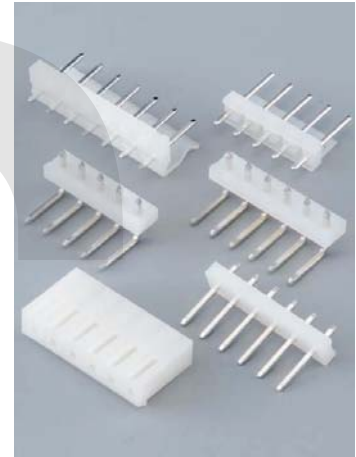
KLS1-5.08 Pitch=5.08mm TYPE

**Electrical Specification:**

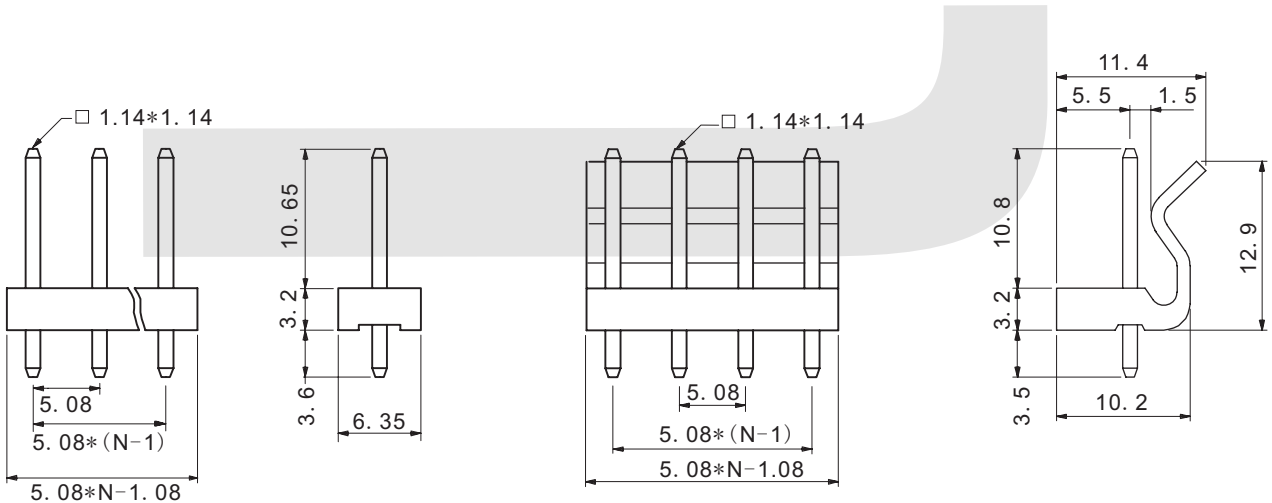
- Rated Voltage: 250V AC/DC
- Rated Current: 5A
- Contact Resistance: 0.02 Ohm max
- Insulation Resistance: 1000M Ohm min
- Withstand voltage: 1500V AC/MIN
- Temperature range for usage : -25°C~+85°C
- P.C board thickness : 1.6mm

**Material:**

- Housing: PA66 (PA66) UL94V-2
- Contacts: Brass or Phosphor Bronze
- Plating: Tin 50u" over 100u" nickel
- Wire range : AWG#24~#18



**Straight**



SA Type

S Type

**ORDER INFORMATION**

Product NO.: KLS1-5.08-XX- S

Pitch: 5.08=5.08mm

Type: H=Housing  
S=Straight Male pin

T=Terminal  
R=Right Male pin

PIN Number: 02 ~ 14Pin

**PCB Connector Series**

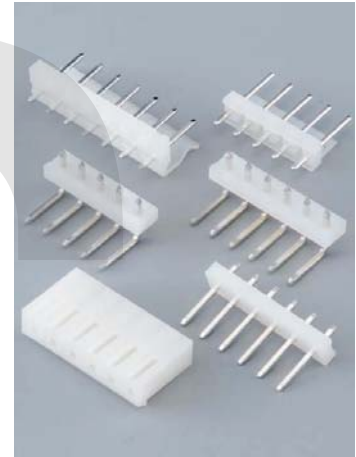
KLS1-5.08 Pitch=5.08mm TYPE

**Electrical Specification:**

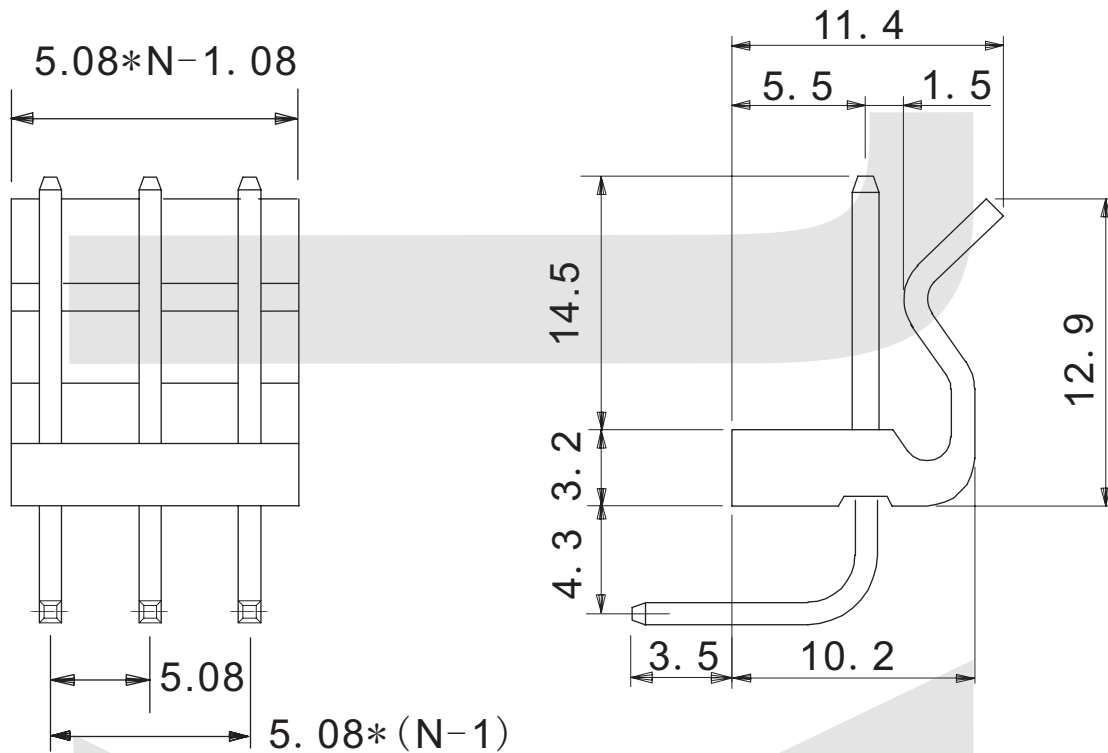
- Rated Voltage: 250V AC/DC
- Rated Current: 5A
- Contact Resistance: 0.02 Ohm max
- Insulation Resistance: 1000M Ohm min
- Withstand voltage: 1500V AC/MIN
- Temperature range for usage : -25°C~+85°C
- P.C board thickness : 1.6mm

**Material:**

- Housing: PA66 (PA66) UL94V-2
- Contacts: Brass or Phosphor Bronze
- Plating: Tin 50u" over 100u" nickel
- Wire range : AWG#24~#18



**Right Male**



**ORDER INFORMATION**

Product NO.: KLS1-5.08-XX-R

Pitch: 5.08=5.08mm

Type: H=Housing  
S=Straight Male pin  
PIN Number: 02 ~ 14Pin

T=Terminal  
R=Right Male pin