

# Tact Switch

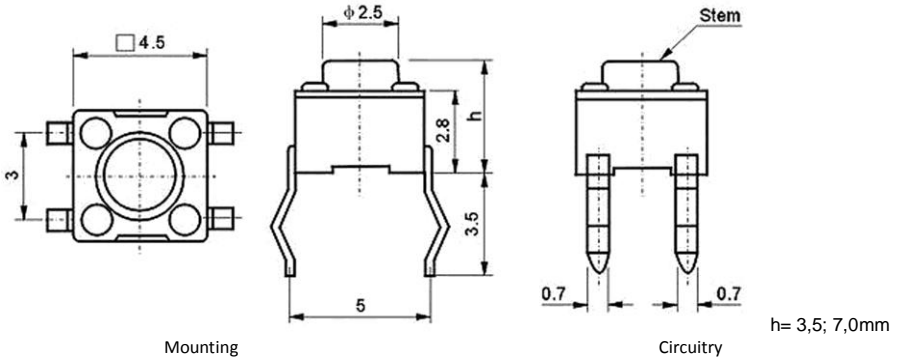
**Q-802**

TYPE: **TC-0010**

## SPECIFICATIONS

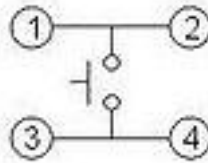
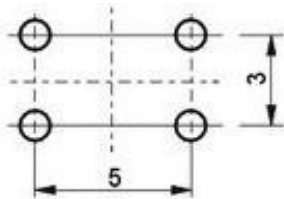
Contact Type	SPST
Rating	DC 12V, 50mA
Contacts Resistance	$\leq 0,03M\Omega$
Insulation Resistance	$\geq 100M\Omega$ Min
Minimum Load	DC 500V
Dielectric Strengths	AC 250V / 1 minute
Life Test	100 000 Cycles Min
Operating temperature range	-25°C to +70°C
Operating Force	130 $\pm$ 50gf

Outline Drawing



Mounting

Circuitry



OFF - (ON)