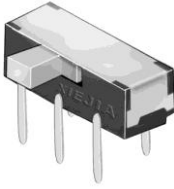


Slide Switch

Q-991

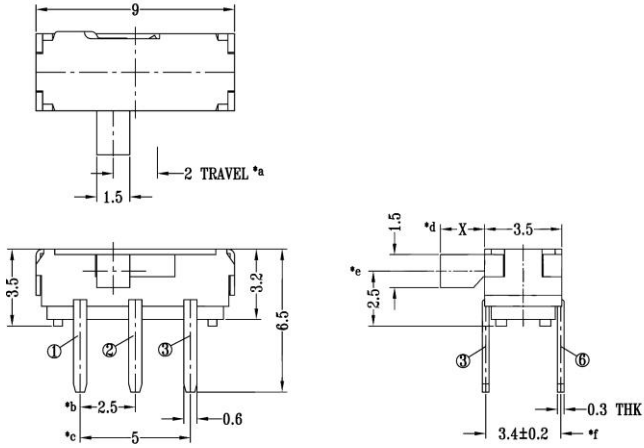
TYPE: **MK-22D10**



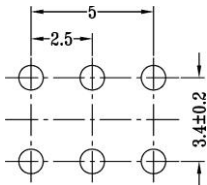
SPECIFICATIONS

Contact Type	DPDT
Pin Width	2.5mm
Rating	DC 50V, 0.3A
Contacts Resistance	70mΩ
Insulation Resistance	100MΩ
Minimum Load	DC 500V
Dielectric Strengths	AC 500V / 1 minute
Life Test	10 000 cycles/ minute
Temperature Range	- 10°C ~ + 60°C
Material	Plastic & Metal

Outline Drawing



Mounting



Circuitry

