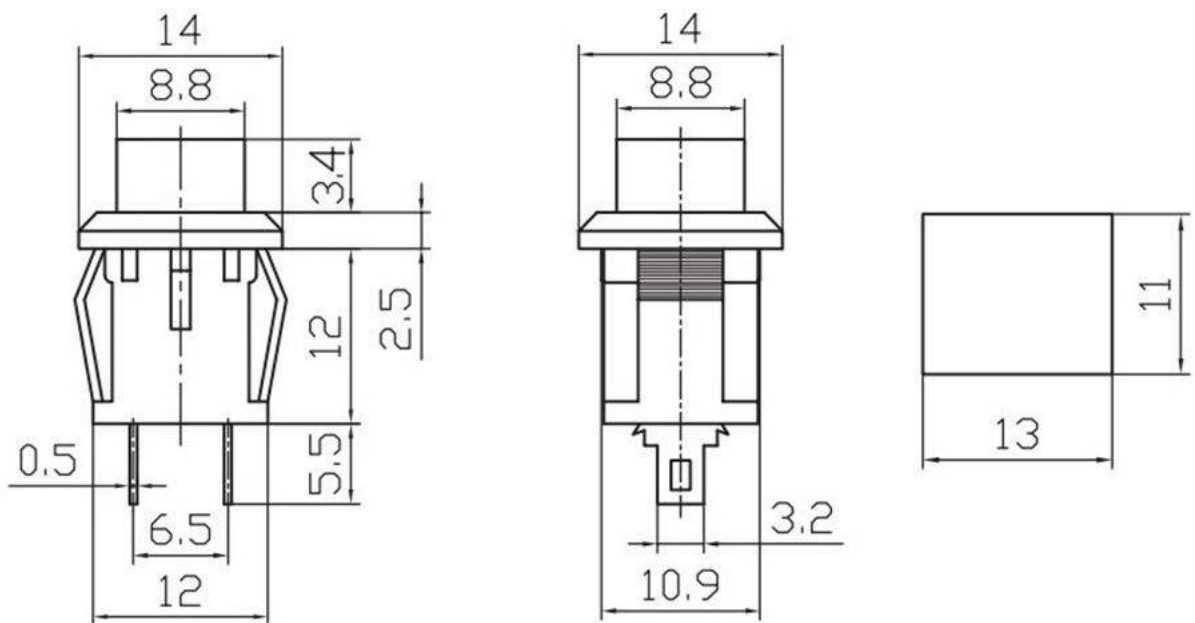
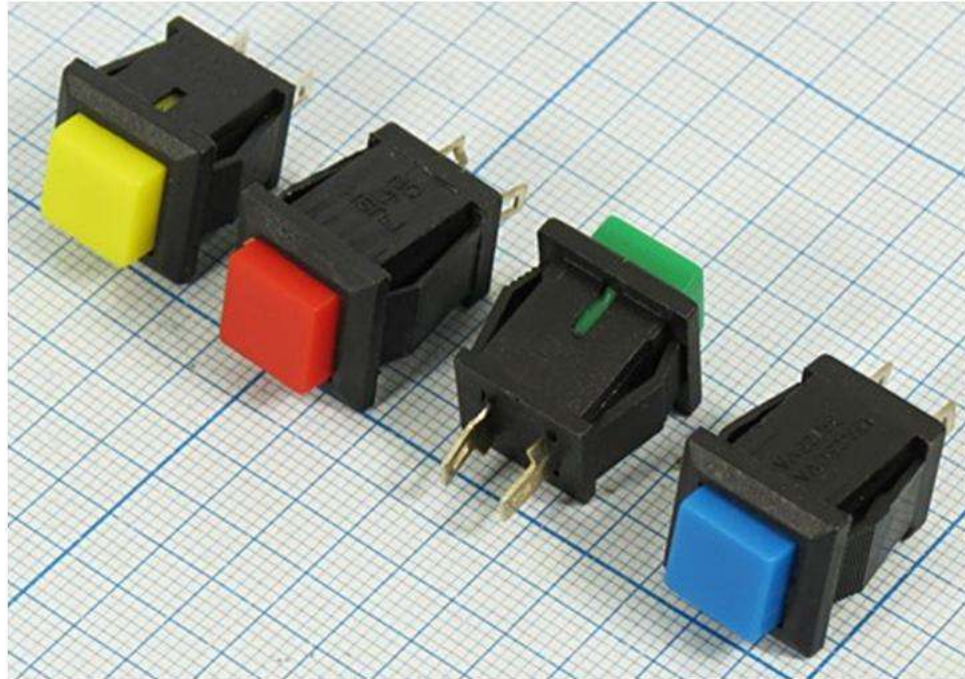


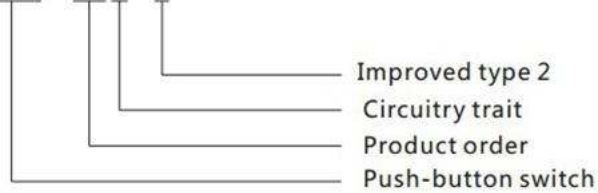
КНОПКА СЕРИИ PBS-15C

ON-(OFF)



Ordering Information

PBS-10B-2



Specification

1. Rating:3A 125VAC;1A 250VAC
2. Contact Resistance:20mΩ max
3. Insulation Resistance:500VDC 100MΩ min
4. Dielectric Strength:1000VAC, 1Minute
5. Operating Temperature:-25°C ~ +85°C
6. Electrical Life:50,000 Cycles

Circuitry trait

| | | | |
|--------------------------|------------|------------------|-----------------------|
| A | ON - OFF | Push on/Push off | With lock |
| B | (ON) - OFF | Push on | Momentary(Open type) |
| C | ON - (OFF) | Push off | Momentary(Close type) |
| (): Indicates Momentary | | | |